

Retrieving and Utilizing External Results: Sources and Types of External Results

Masanobu UEDA

Deputy Director for International Affairs
Division

Japan Patent Office



Source of External Results

- ❑ AIPN (JP)
<http://aipn.ipdl.inpit.go.jp/>
 - ❑ European Patent Register (EP)
<https://register.epo.org/espacenet/regviewer>
 - ❑ DPMAregister (DE)
<http://register.dpma.de/DPMAregister/pat/einsteiger>
 - ❑ Public Pair (US)
<http://portal.uspto.gov/external/portal/pair>
 - ❑ K-PION (KR)
<http://kposd.kipo.go.kr:8088/up/kpion/>
-

**Retrieving and Utilizing
External Results:
A**dvanced I**ntellectual P**roperty N**etwork
(AIPN)**********

AIPN – What's the AIPN?

- ❑ The AIPN is the Web based Service **only** for **Examiners** in the Foreign IP Offices.
 - ❑ The AIPN provides **Dossier Information** and **Legal status** of applications examined by JPO.
 - ❑ Almost all Information is translated into English by **Japanese-English Machine Translation**.
 - ❑ The AIPN is the Useful Tool for **Utilizing Examination Results** done by JPO.
-

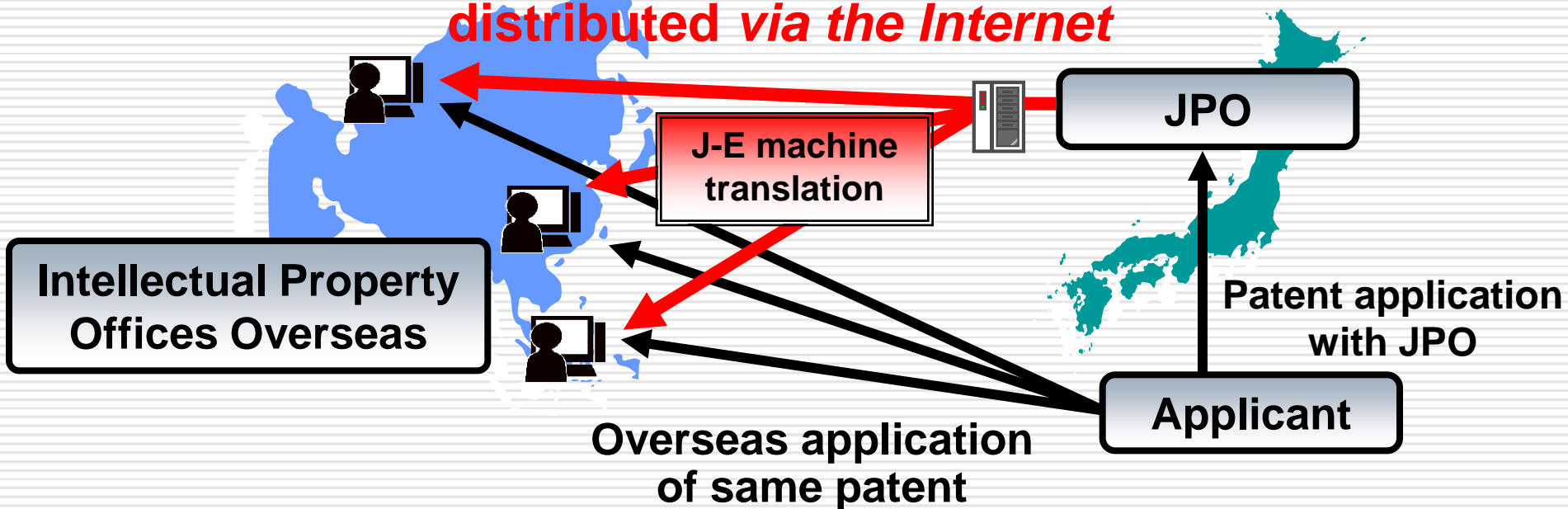
AIPN – Current Image

Providing JPO Examination Results in English

- 
- ① Reduces work load of foreign examiners
 - ② Accelerates overseas rights acquisition of applicants

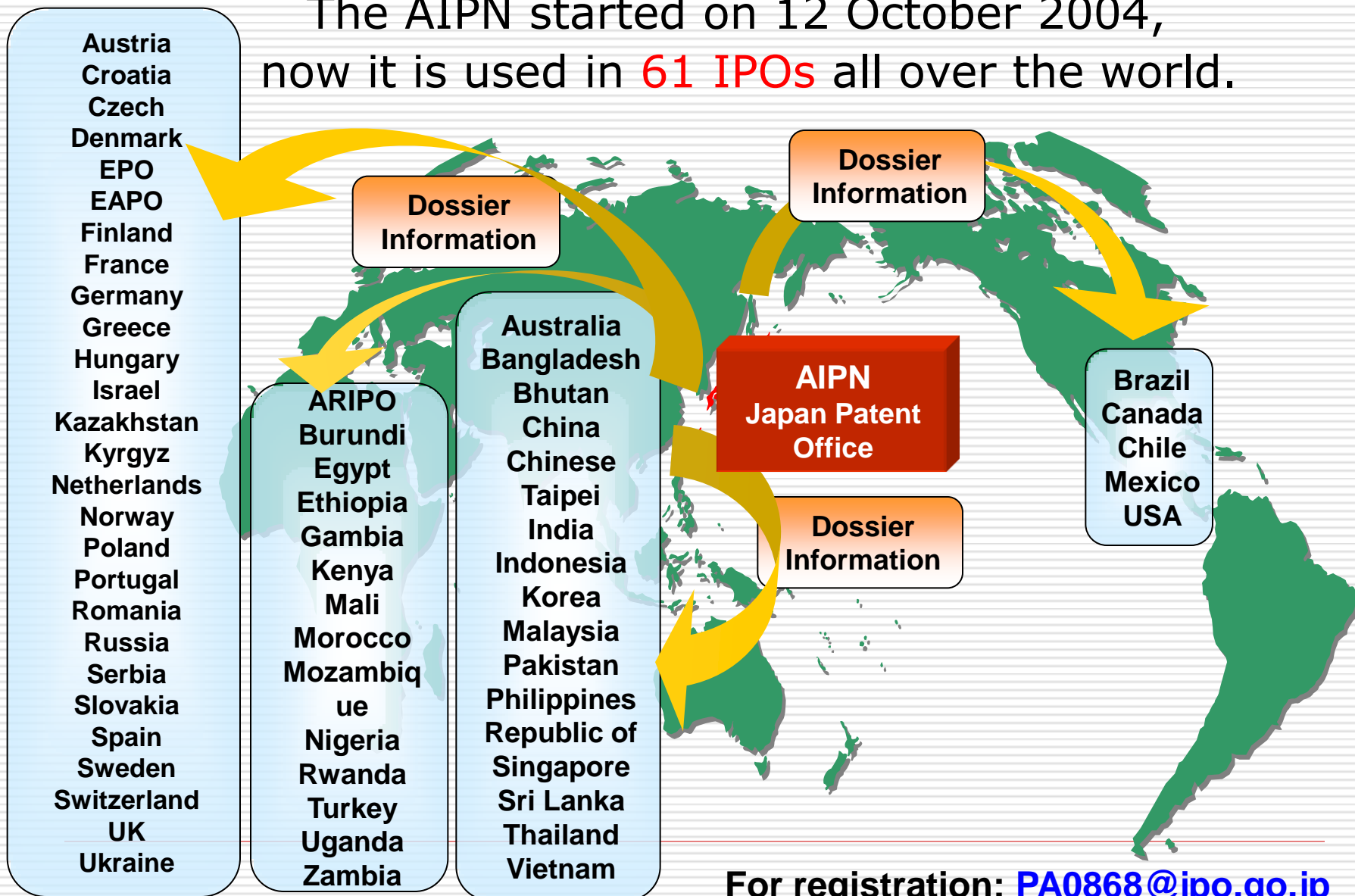
AIPN: Advanced Industrial Property Network

JPO examination results are distributed via the Internet



Registered IP Offices

The AIPN started on 12 October 2004,
now it is used in **61 IPOs** all over the world.



For registration: PA0868@jpo.go.jp

File Wrapper Information

- Office Actions or other Dossier Information
- Legal Status of the Application or Prosecution history
- Cited Documents / Patent Family Information

Machine Translation Dictionaries

- Dictionary for IP terms: over 200,000 words
- User Dictionary: 80,000 words
5,000 words will be added every year

For access to a Japanese application, the AIPN accepts various numbers like the following:

- (1) Japanese Publication Number
- (2) Japanese Application Number
- (3) PCT Application Number*
- (4) Priority Number*

*available if the Japanese patent family exists.

Information by using Machine Translation

The AIPN provides detailed information of applications which were published by JPO.

- (1) Patent Family Data
 - (2) Legal Status, Cited Documents
 - (3) Full Text of Publications
 - (4) Application Data and Transaction history
 - (5) File Wrapper (Dossier) Information
-

File Wrapper Information means the same as Dossier Information, and includes documents like the following:

- (1) **Filing Documents**
- (2) **Office Actions** (e.g. Notification of Reasons for Refusal)
- (3) **Search Reports by Search Organizations**
- (4) **Written Amendments / Arguments**
- (5) **Examiner's notes**

AIPN – How to use the AIPN

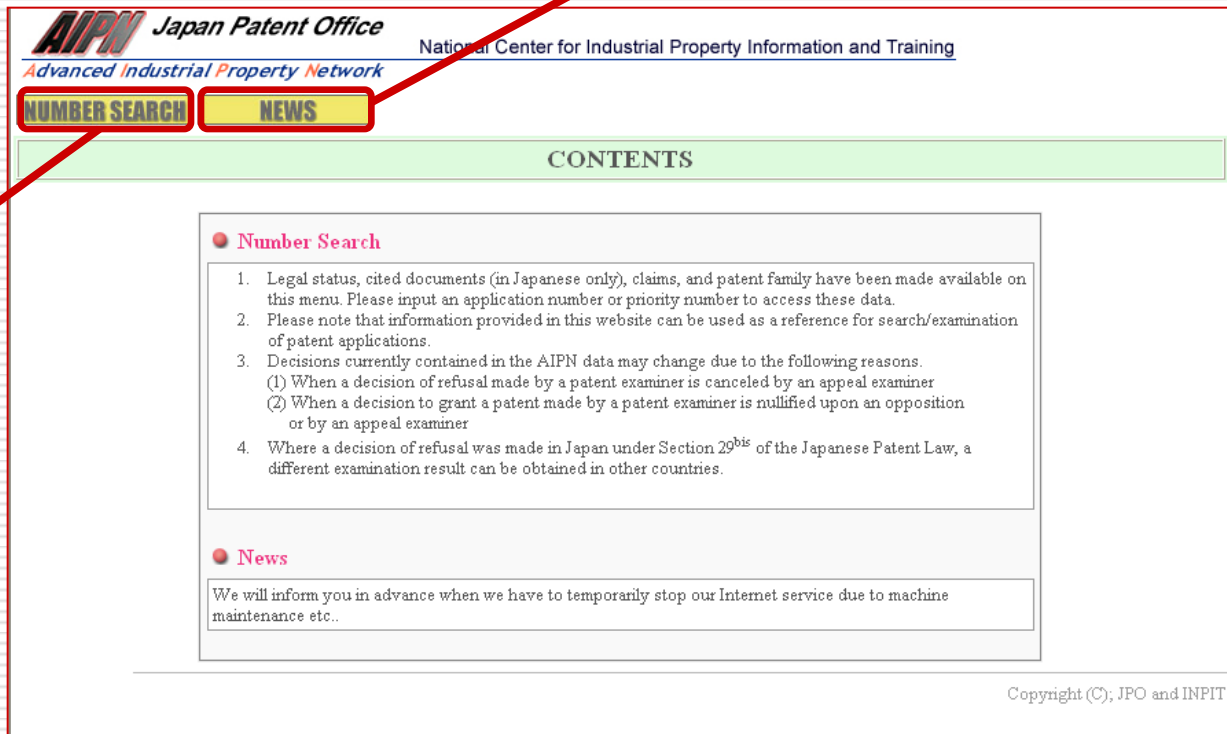
□ Just Access

<http://aipn.ipdl.inpit.go.jp/>

News

□ Top Page

Number Search



The screenshot shows the AIPN website interface. At the top, there is a header with the AIPN logo and the text "Japan Patent Office" and "National Center for Industrial Property Information and Training". Below the header, there are two navigation buttons: "NUMBER SEARCH" and "NEWS". The "NUMBER SEARCH" button is highlighted with a red box and a red arrow pointing to the "Number Search" text on the left. The "NEWS" button is highlighted with a red box and a red arrow pointing to the "News" text on the right. Below the navigation buttons, there is a green bar with the word "CONTENTS". Underneath, there are two sections: "Number Search" and "News". The "Number Search" section contains a list of four items, and the "News" section contains a single paragraph of text.

AIPN Japan Patent Office
Advanced Industrial Property Network
National Center for Industrial Property Information and Training

NUMBER SEARCH **NEWS**

CONTENTS

- Number Search**
 - Legal status, cited documents (in Japanese only), claims, and patent family have been made available on this menu. Please input an application number or priority number to access these data.
 - Please note that information provided in this website can be used as a reference for search/examination of patent applications.
 - Decisions currently contained in the AIPN data may change due to the following reasons.
 - (1) When a decision of refusal made by a patent examiner is canceled by an appeal examiner
 - (2) When a decision to grant a patent made by a patent examiner is nullified upon an opposition or by an appeal examiner
 - Where a decision of refusal was made in Japan under Section 29^{bis} of the Japanese Patent Law, a different examination result can be obtained in other countries.
- News**

We will inform you in advance when we have to temporarily stop our Internet service due to machine maintenance etc..

Copyright (C), JPO and INPIT.

Search from Document No.

RETURN TO TOP PAGE

HELP

STORED DATA

Number Search

Search from JAPANESE Application/Priority/Publication/Patent Number

Type

Document Number

e.g. Application/Priority Number : 2001-123456 or H13-123456
A, U, B, Y : 2001-123456 or H13-123456
A1 : WO1998-123456 or WO98-123456
U, B, Y : 3234567

Display type File Wrapper Information Patent Family

Note: Please select "Patent Family" when you search by PCT international publication number as corresponding file wrapper information is not directly accessible.

Search from OTHER Application/Priority Number

Application Number

Priority Number

e.g. : US-2003-668357, WO-1998-US012345

SEARCH

Search from JP No.

- Application No.
- Priority No.
- Publication No.
- Patent No.

Search from No. of Foreign Document

- Application No.
- Priority No.

Search from Document No.

RETURN TO TOP PAGE

HELP

STORED DATA

Number Search

Search from JAPANESE Application/Priority/Publication/Patent Number

Type

Document Number

e.g. Application/Priority Number : 2001-123456 or H13-123456
A, U, B, Y : 2001-123456 or H13-123456
A1 : WO1998-123456 or WO98-123456
U, B, Y : 3234567

Display type File Wrapper Information Patent Family

Note: Please select "Patent Family" when you search by PCT international publication number as corresponding file wrapper information is not directly accessible.

Search from OTHER Application/Priority Number

Application Number
Priority Number

e.g. : US-2003-668357, WO-1998-US012345

SEARCH

Choose the Type of Document

RETURN TO TOP PAGE

HELP

STORED DATA

Number Search

Search from JAPANESE Application/Priority/Publication/Patent Number

Type

Patent Application/Priority Number

Document Number

Patent Application/Priority Number

Utility Model Application/Priority Number

A : Unexamined Patent Publication (Kokai)

B : Examined Patent Publication (Kokoku)

B : Granted Patent Publication

U : Unexamined Utility Model Publication (Kokai)

Y : Examined Utility Model Publication (Kokoku)

U : Registered Utility Model Publication

Y : Granted Utility Model Publication

A : Unexamined Patent Publication based on Int'l Application

A1 : Domestic Re-publication of Int'l Application

Display type

Note: Please select "Patent Application/Priority Number" as the search key.

corresponding file wrapper information is not currently accessible.

23456

number as

Search from OTHER Application/Priority Number

Application Number

Priority Number

e.g. : US-2003-668357, WO-1998-US012345

SEARCH

Enter the Document Number

RETURN TO TOP PAGE

HELP

STORED DATA

Number Search

Search from JAPANESE Application/Priority/Publication/Patent Number

Type

Document Number

e.g. Application/Priority Number : 2001-123456 or H13-123456
A, U, B, Y : 2001-123456 or H13-123456
A1 : WO1998-123456 or WO98-123456
U, B, Y : 3234567

Display type File Wrapper Information Patent Family

Note: Please select "Patent Family" when you search by PCT international publication number as corresponding file wrapper information is not directly accessible.

Search from OTHER Application/Priority Number

Application Number

Priority Number

e.g. : US-2003-668357, WO-1998-US012345

SEARCH

[RETURN TO TOP PAGE](#)

[HELP](#)

[STORED DATA](#)

Number Search

Search from JAPANESE Application/Priority/Publication/Patent Number

Type

Document Number

e.g. Application/Priority Number : 2001-123456 or H13-123456
A, U, B, Y : 2001-123456 or H13-123456
A1 : WO1998-123456 or WO98-123456
U, B, Y : 3234567

Display type File Wrapper Information Patent Family

Note: Please select "Patent Family" when you search by PCT international publication number as corresponding file wrapper information is not directly accessible.

Search from OTHER Application/Priority Number

Application Number
Priority Number

e.g. : US-2003-668357, WO-1998-US012345

SEARCH

Result – Document List

[ENGLISH](#)

[JAPANESE](#)

[MISTRANSLATION](#)

[FEEDBACK](#)

**Note: Japanese environment is required to properly display Japanese characters.
You must install and use a TIFF image plug-in on your system in order to view image files directly.**

Patent application number 2003-123456

File Wrapper Document List – Click document title to display contents.
The dates in the list are shown in the format of “dd.mm.yyyy”

- [Application data and Transaction history](#)

1. [28.04.2003: Request for a Patent](#)
2. [28.04.2003: Description](#)
3. [28.04.2003: Drawings](#)
4. [28.04.2003: Abstract](#)
[-- . -- . ---- : -- Certified or Appended Information](#)
5. [14.02.2005: Request for Examination](#)
[-- . -- . ---- : -- Certified or Appended Information](#)
6. [28.09.2007: Search Report by Registered Searching Organization](#)
7. [01.10.2007: Assessment on Search Report by Registered Searching Organization](#)
8. [09.10.2007: Notification of Reasons for Refusal](#)
9. [05.12.2007: Written Withdrawal of Application](#)
[-- . -- . ---- : -- Certified or Appended Information](#)

Switching the Document List

ENGLISH

JAPANESE

MISTRANSLATION

FEEDBACK

Note: Japanese environment is required to properly display Japanese characters.
You must install and use a TIFF image plug-in on your system in order to view image files directly.

Switch
the Language

Patent application number 2003-123456

File Wrapper Document List - Click document title to display content.
The dates in the list are shown in the format of "dd.mm.yyyy"

■ [Application data and Transaction history](#)

- 28.04.2003: [Request for a Patent](#)
- 28.04.2003: [Description](#)
- 28.04.2003: [Drawings](#)
- 28.04.2003: [Abstract](#)
[---: Certified or Appended Information](#)
- 14.02.2005: [Request for Examination](#)
[---: Certified or Appended Information](#)
- 28.09.2007: [Search Report by Registered Searching Officer](#)
- 01.10.2007: [Assessment on Search Report by Registered Searching Officer](#)
- 09.10.2007: [Notification of Reasons for Refusal](#)
- 05.12.2007: [Written Withdrawal of Application](#)
[---: Certified or Appended Information](#)

ENGLISH

JAPANESE

MISTRANSLATION

Note: Japanese environment is required to properly display Japanese characters.
You must install and use a TIFF image plug-in on your system in order to view image files directly.

特許願2003-123456

以下リストに表示される日付は「dd.mm.yyyy」の形式で表示されます。

■ [出願マスタ基本項目](#)

- 28.04.2003: [特許願](#)
- 28.04.2003: [明細書](#)
- 28.04.2003: [図面](#)
- 28.04.2003: [要約書](#)
[---: 認定・付加情報](#)
- 14.02.2005: [出願審査請求書](#)
[---: 認定・付加情報](#)
- 28.09.2007: [検索報告書](#)
- 01.10.2007: [検索外注利用状況票](#)
- 09.10.2007: [拒絶理由通知書](#)
- 05.12.2007: [出願取下書](#)
[---: 認定・付加情報](#)

[ENGLISH](#)

[JAPANESE](#)

[MISTRANSLATION](#)

[FEEDBACK](#)

**Note: Japanese environment is required to properly display Japanese characters.
You must install and use a TIFF image plug-in on your system in order to view image files directly.**

Patent application number 2003-123456

File Wrapper Document List - Click document title to display contents.
The dates in the list are shown in the format of "dd.mm.yyyy"

- [Application data and Transaction history](#)

1. [28.04.2003: Request for a Patent](#)
2. [28.04.2003: Description](#)
3. [28.04.2003: Drawings](#)
4. [28.04.2003: Abstract](#)
[-- . -- . ---- : -- Certified or Appended Information](#)
5. [14.02.2005: Request for Examination](#)
[-- . -- . ---- : -- Certified or Appended Information](#)
6. [28.09.2007: Search Report by Registered Searching Organization](#)
7. [01.10.2007: Assessment on Search Report by Registered Searching Organization](#)
8. [09.10.2007: Notification of Reasons for Refusal](#)
9. [05.12.2007: Written Withdrawal of Application](#)
[-- . -- . ---- : -- Certified or Appended Information](#)

★ Notification of Reasons for Refusal ← Reasons for refusal

Application number: Application for patent 2003-362601
Date of Drafting: Heisei 20(2008) June 23
Patent examiner: WATANABE, Junya 3131 Four B00
Applicant: SAN-EI GEN F.F.I INC.
Applied Provisions: Article 29(1), Article 29(2)

This application should be refused for the reason that the following Reason. If the applicant has any argument against the reason, such argument should be submitted within 60 days from the dispatch date of this notification.

★ Reason ← Detail of the reasons

[Reason 1] The claimed invention(s) in the each claim listed below of this patent application should not be granted a patent under the provision of Patent Law Article 29 (1)(iii) for the reason that the claimed invention(s) has/have been deemed to be identical with the invention(s) described in the distributed publication(s) listed below or made available to the public through electric telecommunication lines in Japan or other foreign countries prior to the filing of the patent application.
[Reason 2] The claimed invention(s) in the each claim listed below of this patent application should not be granted a patent under the provision of Patent Law Article 29 (2) for the reason that the claimed invention(s) could have easily been made by persons who have common knowledge in the technical field to which the claimed invention(s) pertains, on the basis of the invention(s) described in the distributed publication(s) listed below or made available to the public through electric telecommunication lines in Japan or other foreign countries prior to the filing of the patent application.

Account (Please refer to "The list of cited documents etc." for cited documents etc.)

To Reason 2 cited document 1-4 Remarks:cited document 1-4, it is indicated [7 / Reasons 1 and 2 Claim 5 and] about Claims 1-4 that the effect that thaumatin reinforces master Deveze's flavor is shown. Here, mustard contains ARIRU isothiocyanate as a pungent condiment ingredient. A person skilled in the art could have embodied the idea of based on the description of cited document 1-4, adjusting the loadings of thaumatin so that the pungent condiment of mustard may reinforce.

Claims 1-4 -- Reasons 1 and 2 Claims 6-7 -- Reason 2 cited document 5 Remarks: -- to cited document 5, the powder flavoring containing a red pepper extract and thaumatin is indicated.

It is indicated that the flavoring concerned was also racier than the contrast which does not contain thaumatin (refer to working example 18 especially). Here, since most flavor ingredients in the flavoring concerned of cited document 5 are red pepper extracts, the person skilled in the art who touched the description concerned is accepted to recognize as the flavor of red pepper being reinforced. Red pepper contains capsaicin as a pungent condiment ingredient. A person skilled in the art could have embodied the idea of based on the description of cited document 5, adjusting the loadings of thaumatin so that flavor may reinforce.

★ The list of cited documents etc. ← List of cited documents

1. Food, 1983 and 5 (3), p.12-13, 15-162. monthly hood chemicals, 1985, 1 (6), p.40-473. FFI journal, 2001, No.195, p.61-634. monthly hood chemicals, 1998, and 14(2) p.44-525. JP,H07-099918,A

(Note) By restriction of law or a contract, some or all of nonpatent literatures that was shown may not be sent.

Record of the result of prior art search

- Technical-fields-to-be-searched IPC A23L1/22-237, 1/24 DB name CAplus/BIOSIS/WPIDS(STN) JSTPlus (JDreamII)
- Prior art documents Nothing

This record is not a component(s) of the reason(s) for refusal.

Retrieve Patent Family Information

RETURN TO TOP PAGE

HELP

STORED DATA

Number Search

Search from JAPANESE Application/Priority/Publication/Patent Number

Type

Document Number

e.g. Application/Priority Number : 2001-123456 or H13-123456
A, U, B, Y : 2001-123456 or H13-123456
A1 : WO1998-123456 or WO98-123456
U, B, Y : 3234567

Display type File Wrapper Information Patent Family

Note: Please select "Patent Family" when you search by PCT international publication number as corresponding file wrapper information is not directly accessible.

Search from OTHER Application/Priority Number

Application Number
Priority Number

e.g. : US-2003-668357, WO-1998-US012345

SEARCH

Patent Family & Legal Status Window

AIPN Japan Patent Office National Center for Industrial Property Information and Training
 Advanced Industrial Property Network

[RETURN TO TOP PAGE](#) [HELP](#) [SEARCH](#)

Searched Number : [2003-123456](#) [Legal status, Cited documents](#)

Patent Family

No.	Kind	Publication No.	Publ. Date	Application No.	Appl. Date	Related Information.
1	A	JP 2004-164561	10.06.2004	JP 2003-0123456	28.04.2003	Legal status, Cited documents
2	B2	US 7014374	21.03.2006	US 2003-0670120	25.09.2003	
3	A1	US 2004218209	04.11.2004	US 2003-0670120	25.09.2003	

Patent Family List

Legal Status, Cited Documents **Application Number. JP 2003-0123456** [File Wrapper Information](#)

Legal Status Click "File Wrapper Information" for the latest status.

[Publication number]	2004-164561
[Date of request for examination]	14.02.2005
[Date of sending the examiner's decision of rejection]	
[Kind of final disposal of application other than the examiner's]	withdrawal
[Date of final disposal for application]	11.12.2007
[Patent number]	
[Date of registration]	
[Number of appeal against examiner's decision of rejection]	
[Date of requesting appeal against examiner's decision of rejection]	
[Date of extinction of right]	
[Trial or opposition number]	
[Date of demand for trial or opposition]	
[Kind of final disposal of trial or opposition]	
[Date of final disposal of trial or opposition]	
[Renewal date]	31.07.2008

Legal Status & Cited Document

Cited Documents

No.	Kind	Document No.	Patent Family
1	A	JP 07-98637	Patent Family
2	A	JP 2000-20275	Patent Family
3	A	JP 05-127850	Patent Family

Patent Family List

[RETURN TO TOP PAGE](#)

[HELP](#)

[SEARCH](#)

Searched Number : [2003-123456](#)

[Legal status, Cited documents](#)

Patent Family

No.	Kind	Publication No.	Publ. Date	Application No.	Appl. Date	Related Information.
1	A	JP 2004-164561	10.06.2004	JP 2003-0123456	28.04.2003	Legal status, Cited documents
2	B2	US 7014374	21.03.2006	US 2003-0670120	25.09.2003	
3	A1	US 2004218209	04.11.2004	US 2003-0670120	25.09.2003	

Legal Status, Cited Documents

Application Number. JP 2003-0123456

[File Wrapper Information](#)

Legal Status

Click "File Wrapper Information" for the latest status.

[Publication number]	2004-164561
[Date of request for examination]	14.02.2005
[Date of sending the examiner's decision of rejection]	
[Kind of final disposal of application other than the examiner's]	withdrawal
[Date of final disposal for application]	11.12.2007
[Patent number]	
[Date of registration]	
[Number of appeal against examiner's decision of rejection]	
[Date of requesting appeal against examiner's decision of rejection]	
[Date of extinction of right]	

English Translation of Full Document

Japanese Full Document

Advanced Industrial Property Network

PATENT ABSTRACTS OF JAPAN

(11)Publication number : 2004-164561

(43)Date of publication of application : 10.06.2004

(51)Int.Cl.

G06F 3/12

B41J 29/00

B41J 29/38

B41J 29/42

H04N 5/76

(21)Application number : 2003-123456

(71)Applicant : SEIKO EPSON CORP

(22)Date of filing : 28.04.2003

(72)Inventor : HAMAGUCHI YOSHIHARU
TORIGOE YUSUKE

(30)Priority

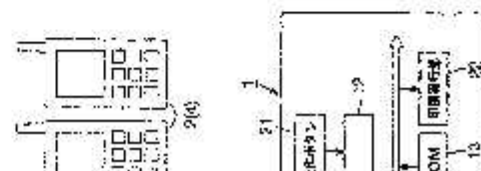
Priority number : 2002279423 Priority date : 25.09.2002 Priority country : JP

(54) APPARATUS AND METHOD FOR REPRODUCTION CONDITION SETUP, AND REPRODUCTION OUTPUT APPARATUS

(57)Abstract:

PROBLEM TO BE SOLVED: To provide an apparatus and a method for reproduction, which can perform recording processing for communication information from external devices without setup of reproduction conditions and acquire appropriate printing output by switching reproduction conditions using communication protocols of an external device to be connected.

SOLUTION: A setting value table 23 is stored in an EEPROM 15, and printing conditions for every identifier are set in the setting value table 23. When receiving communication



Document Screening

[FULL CONTENTS](#) [CLAIM + DETAILED DESCRIPTION](#) [TECHNICAL FIELD](#) [PRIOR ART](#) [EFFECT OF THE INVENTION](#) [TECHNICAL PROBLEM](#) [MEANS](#) [DESCRIPTION OF DRAWINGS](#) [DRAWINGS](#)

[Translation done.]

Disclaimer:

This English translation is produced by machine translation and may contain errors. The JPO, the INPIT, and those who drafted this document in the original language are not responsible for the result of the translation.

Notes:

1. Untranslatable words are replaced with asterisks (****).
2. Texts in the figures are not translated and shown as it is.

Translated: 12:15:18 JST 10/24/2008

CLAIM + DETAILED DESCRIPTION

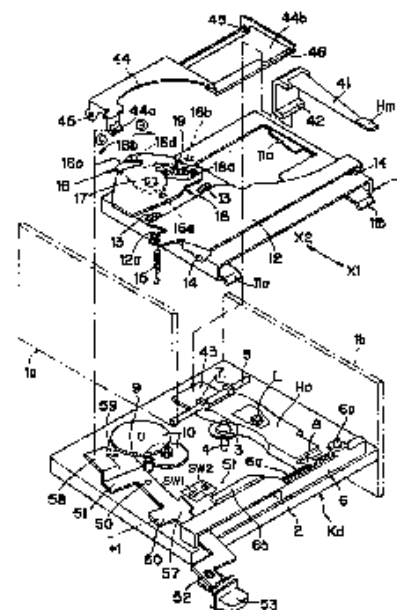
[Claim(s)]

[Claim 1] If it has the mode change member which can be displaced between the disk blowdown mechanism which discharges the disk in a set state, and a playback mode position and a discharge mode position and the mode change member is manually displaced from a playback mode position to a discharge mode position Disk drive equipment characterized by being constituted so that the disk in a set state may be discharged by said disk blowdown mechanism.

[Claim 2] The head migration mechanism in which a head is ****(ed) to the set disk, If it has the mode change member which can be displaced between a reproduction mode position and a record mode position and

Drawing selection

[1]



[Translation done.]

Report Mistranslation

Japanese (whole document in PDF)

Select the Drawing

[FULL CONTENTS](#) [CLAIM + DETAILED DESCRIPTION](#) [TECHNICAL FIELD](#) [PRIOR ART](#) [EFFECT OF THE INVENTION](#) [TECHNICAL PROBLEM](#) [MEANS](#) [DESCRIPTION OF DRAWINGS](#) [DRAWINGS](#)

[Translation done.]

Disclaimer:

This English translation is produced by machine translation and may contain errors. The JPO, the INPIT, and those who drafted this document in the original language are not responsible for the result of the translation.

Notes:

1. Untranslatable words are replaced with asterisks (****).
2. Texts in the figures are not translated and shown as it is.

Translated: 12:15:18 JST 10/24/2008

CLAIM + DETAILED DESCRIPTION

[Claim(s)]

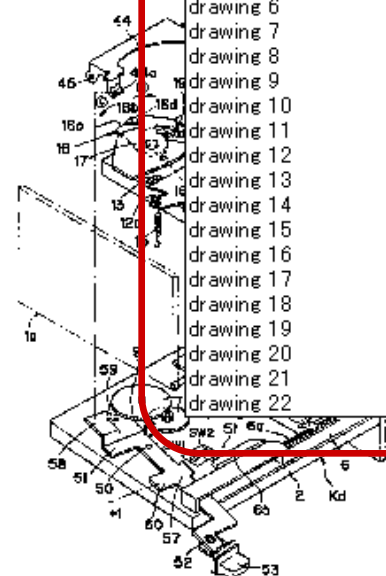
[Claim 1] If it has the mode change member which can be displaced between the disk blowdown mechanism which discharges the disk in a set state, and a playback mode position and a discharge mode position and the mode change member is manually displaced from a playback mode position to a discharge mode position Disk drive equipment characterized by being constituted so that the disk in a set state may be discharged by said disk blowdown mechanism.

[Claim 2] The head migration mechanism in which a head is ****(ed) to the set disk, If it has the mode change member which can be displaced between a reproduction mode position and a record mode position and

Drawing selection Representative drawing ▾

Representative drawing

- drawing 1
- drawing 2
- drawing 3
- drawing 4
- drawing 5
- drawing 6
- drawing 7
- drawing 8
- drawing 9
- drawing 10
- drawing 11
- drawing 12
- drawing 13
- drawing 14
- drawing 15
- drawing 16
- drawing 17
- drawing 18
- drawing 19
- drawing 20
- drawing 21
- drawing 22



[Translation done.]

[FULL CONTENTS](#) [CLAIM + DETAILED DESCRIPTION](#) [TECHNICAL FIELD](#) [PRIOR ART](#) [EFFECT OF THE INVENTION](#) [TECHNICAL PROBLEM](#) [MEANS](#) [DESCRIPTION OF DRAWINGS](#) [DRAWINGS](#)

[Translation done.]

Disclaimer:

This English translation is produced by machine translation and may contain errors. The JPO, the INPIT, and those who drafted this document in the original language are not responsible for the result of the translation.

Notes:

1. Untranslatable words are replaced with asterisks (****).
2. Texts in the figures are not translated and shown as it is.

Translated: 12:15:18 JST 10/24/2008

CLAIM + DETAILED DESCRIPTION

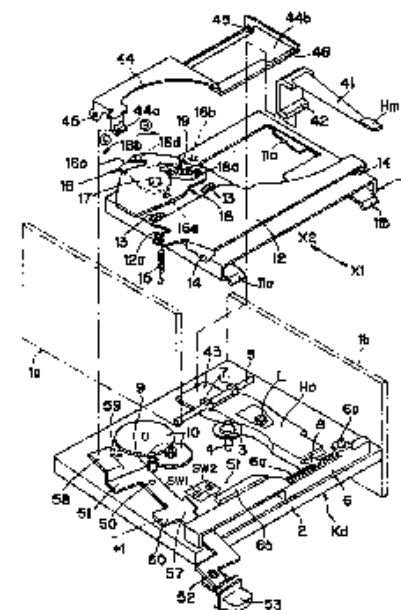
[Claim(s)]

[Claim 1] If it has the mode change member which can be displaced between the disk blowdown mechanism which discharges the disk in a set state, and a playback mode position and a discharge mode position and the mode change member is manually displaced from a playback mode position to a discharge mode position Disk drive equipment characterized by being constituted so that the disk in a set state may be discharged by said disk blowdown mechanism.

[Claim 2] The head migration mechanism in which a head is ****(ed) to the set disk, If it has the mode change member which can be displaced between a reproduction mode position and a record mode position and

Drawing selection

[1]



[Translation done.]

Report Mistranslation

Japanese (whole document in PDF)

Link to Japanese Gazette PDF

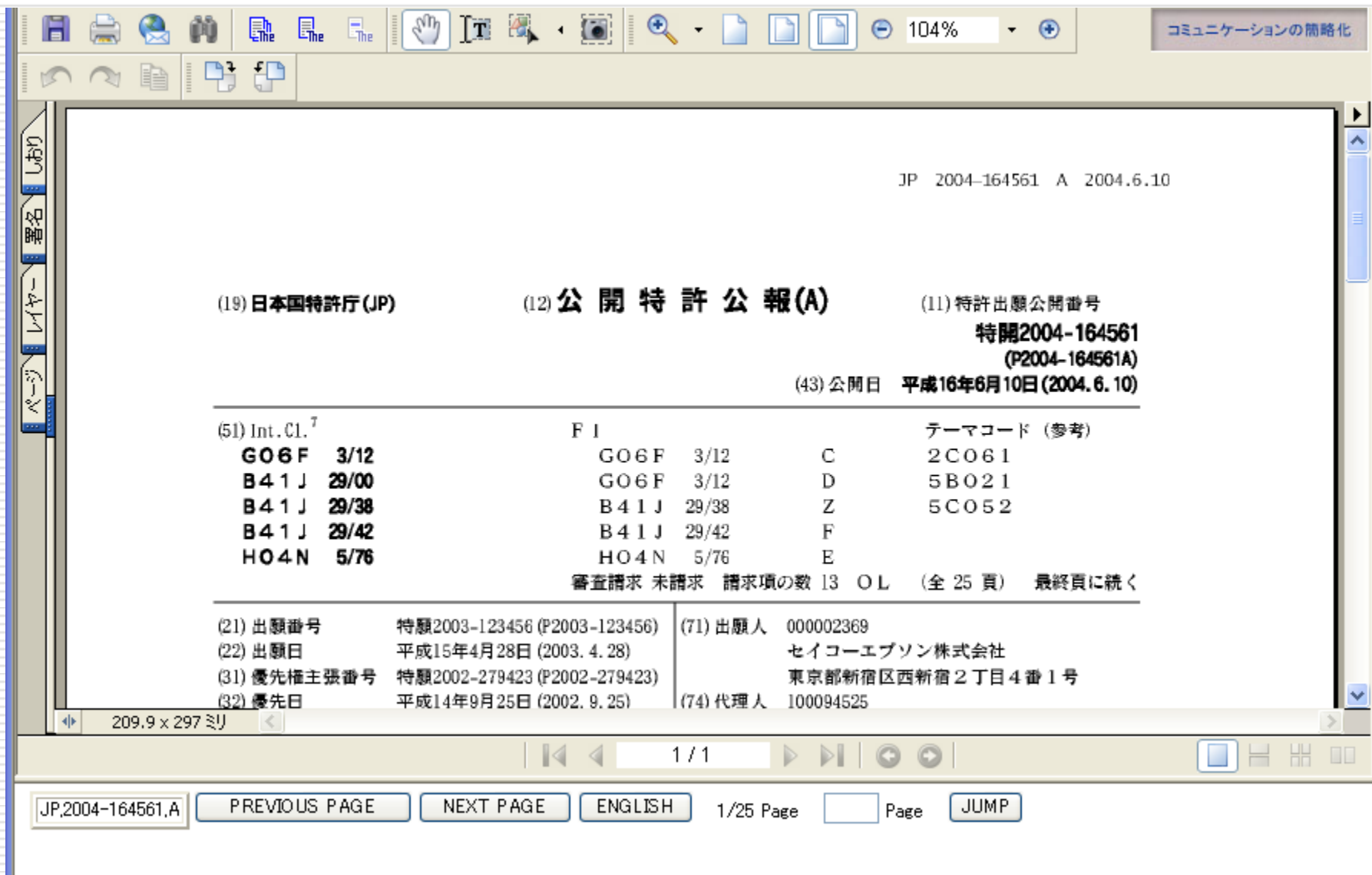
Display/Download Whole Document in PDF Format

Click the link below to display the whole document in PDF format.
To display files over 3MB, please download all split files and merge program
and merge them (please see HELP for further instruction).

[JP,2004-164561,A]

[1. JP,2004-164561,A](#)

Link to Japanese Gazette PDF



JP 2004-164561 A 2004.6.10

(19) 日本国特許庁 (JP) (12) 公開特許公報(A) (11) 特許出願公開番号
特開2004-164561
(P2004-164561A)

(43) 公開日 平成16年6月10日 (2004.6.10)

(51) Int. Cl. 7 F 1 テーマコード (参考)

G06F 3/12	G06F 3/12	C	2C061
B41J 29/00	G06F 3/12	D	5B021
B41J 29/38	B41J 29/38	Z	5C052
B41J 29/42	B41J 29/42	F	
H04N 5/76	H04N 5/76	E	

審査請求 未請求 請求項の数 13 OL (全 25 頁) 最終頁に続く

(21) 出願番号	特願2003-123456 (P2003-123456)	(71) 出願人	000002369
(22) 出願日	平成15年4月28日 (2003.4.28)		セイコーエプソン株式会社
(31) 優先権主張番号	特願2002-279423 (P2002-279423)		東京都新宿区西新宿2丁目4番1号
(32) 優先日	平成14年9月25日 (2002.9.25)	(74) 代理人	100094525

209.9 x 297

1 / 1

JP,2004-164561,A PREVIOUS PAGE NEXT PAGE ENGLISH 1/25 Page Page JUMP

Link to Patent Family Gazette

[RETURN TO TOP PAGE](#)

[HELP](#)

[SEARCH](#)

Searched Number : [2003-123456](#)

[Legal status, Cited documents](#)

Patent Family

No.	Kind	Publication No.	Publ. Date	Application No.	Appl. Date	Related Information.
1	A	JP 2004-164561	10.06.2004	JP 2003-0123456	28.04.2003	Legal status, Cited documents
2	B2	US 7014374	21.03.2006	US 2003-0670120	25.09.2003	
3	A1	US 2004218209	04.11.2004	US 2003-0670120	25.09.2003	

Legal Status, Cited Documents

Application Number. JP 2003-0123456

[File Wrapper Information](#)

Legal Status

Click "File Wrapper Information" for the latest status.


[Publication number]	2004-164561
[Date of request for examination]	14.02.2005
[Date of sending the examiner's decision of rejection]	
[Kind of final disposal of application other than the examiner's]	withdrawal
[Date of final disposal for application]	11.12.2007
[Patent number]	
[Date of registration]	
[Number of appeal against examiner's decision of rejection]	
[Date of requesting appeal against examiner's decision of rejection]	
[Date of extinction of right]	

Adobe PDF ファイルの検索

テキスト選択ツール グラフィック選択ツール

93%

しおり 署名 レイヤー ページ



US007014374B2

(12) **United States Patent**
Hamaguchi et al.

(10) Patent No.: **US 7,014,374 B2**
(45) Date of Patent: **Mar. 21, 2006**

(54) **PRINTING APPARATUS AND PRINTING METHOD FOR PERFORMING PRE-COMMUNICATION WITH AN EXTERNAL DEVICE**

(75) Inventors: **Yoshiharu Hamaguchi**, Nagano-ken (JP); **Yusuke Torigoe**, Nagano-ken (JP)

(73) Assignee: **Selko Epson Corporation**, Tokyo (JP)

(*) Notice: Subject to any disclaimer, the term of this patent is extended or adjusted under 35 U.S.C. 154(b) by 63 days.

(21) Appl. No.: **10/670,120**

(22) Filed: **Sep. 25, 2003**

(65) **Prior Publication Data**
US 2004/0218209 A1 Nov. 4, 2004

(30) **Foreign Application Priority Data**
Sep. 25, 2002 (JP) 2002-279423
Nov. 1, 2002 (JP) 2002-320578
Apr. 28, 2003 (JP) 2003-123456

(56) **References Cited**
U.S. PATENT DOCUMENTS
2002/0172345 A1* 11/2002 Wu 379/220.01
2003/0081240 A1* 5/2003 Soto et al. 358/1.15
2003/0133154 A1* 7/2003 Ohyama et al. 358/1.15
2003/0222985 A1* 12/2003 Goto et al. 348/207.2
2004/0090543 A1* 5/2004 Suehiro 348/231.99

FOREIGN PATENT DOCUMENTS
JP 11341065 A * 12/1999
JP 11355704 A * 12/1999
JP 2001-290612 10/2001
JP 2003309618 A * 10/2003
JP 2004013350 A * 1/2004

* cited by examiner

Primary Examiner—Minh Chau
(74) *Attorney, Agent, or Firm*—Sughrue Mion, PLLC

(57) **ABSTRACT**
The present invention provides a printing method and the like with which high-quality and high-speed printing is possible. The printing method includes: a step of performing pre-communication with an external device before print data are obtained from the external device; a step of obtaining

Legal Status & Cited Documents

No.	Kind	Publication No.	Publ. Date	Application No.	Appl. Date	Related Information.
1	A	JP 2004-164561	10.06.2004	JP 2003-0123456	28.04.2003	Legal status, Cited documents
2	B2	US 7014374	21.03.2006	US 2003-0670120	25.09.2003	
3	A1	US 2004218209	04.11.2004	US 2003-0670120	25.09.2003	

Legal Status, Cited Documents	Application Number. JP 2003-0123456	File Wrapper Information
Legal Status Click "File Wrapper Information" for the latest status.		
[Publication number]	2004.164561	
[Date of request for examination]	14.02.2005	
[Date of sending the examiner's decision of rejection]		
[Kind of final disposal of application other than the examiner's]	withdrawal	
[Date of final disposal for application]	11.12.2007	
[Patent number]		
[Date of registration]		
[Number of appeal against examiner's decision of rejection]		
[Date of requesting appeal against examiner's decision of rejection]		
[Date of extinction of right]		
[Trial or opposition number]		
[Date of demand for trial or opposition]		
[Kind of final disposal of trial or opposition]		
[Date of final disposal of trial or opposition]		
[Renewal date]	31.07.2008	

Link to File Wrapper Information

[RETURN TO TOP PAGE](#)

[HELP](#)

[SEARCH](#)

Searched Number : [2003-123456](#)

[Legal status, Cited documents](#)

Patent Family

No.	Kind	Publication No.	Publ. Date	Application No.	Appl. Date	Related Information.
1	A	JP 2004-164561	10.06.2004	JP 2003-0123456	28.04.2003	Legal status, Cited documents
2	B2	US 7014374	21.03.2006	US 2003-0670120	25.09.2003	
3	A1	US 2004218209	04.11.2004	US 2003-0670120	25.09.2003	

Legal Status, Cited Documents

Application Number. JP 2003-0123456

[File Wrapper Information](#)

Legal Status

Click "File Wrapper Information" for the latest status.

[Publication number]	2004.164561
[Date of request for examination]	14.02.2005
[Date of sending the examiner's decision of rejection]	
[Kind of final disposal of application other than the examiner's]	withdrawal
[Date of final disposal for application]	11.12.2007
[Patent number]	
[Date of registration]	
[Number of appeal against examiner's decision of rejection]	
[Date of requesting appeal against examiner's decision of rejection]	
[Date of extinction of right]	

Result – Document List

ENGLISH

JAPANESE

MISTRANSLATION

FEEDBACK

**Note: Japanese environment is required to properly display Japanese characters.
You must install and use a TIFF image plug-in on your system in order to view image files directly.**

Patent application number 2003-123456

File Wrapper Document List – Click document title to display contents.
The dates in the list are shown in the format of “dd.mm.yyyy”

- [Application data and Transaction history](#)

1. [28.04.2003: Request for a Patent](#)
2. [28.04.2003: Description](#)
3. [28.04.2003: Drawings](#)
4. [28.04.2003: Abstract](#)
[-- . -- . ---- : -- Certified or Appended Information](#)
5. [14.02.2005: Request for Examination](#)
[-- . -- . ---- : -- Certified or Appended Information](#)
6. [28.09.2007: Search Report by Registered Searching Organization](#)
7. [01.10.2007: Assessment on Search Report by Registered Searching Organization](#)
8. [09.10.2007: Notification of Reasons for Refusal](#)
9. [05.12.2007: Written Withdrawal of Application](#)
[-- . -- . ---- : -- Certified or Appended Information](#)

Cited Documents

[RETURN TO TOP PAGE](#)

[HELP](#)

[SEARCH](#)

Searched Number : [2003-123456](#)

[Legal status, Cited documents](#)

Patent Family

No.	Kind	Publication No.	Publ. Date	Application No.	Appl. Date	Related Information.
1	A	JP 2004-164561	10.06.2004	JP 2003-0123456	28.04.2003	Legal status, Cited documents
2	B2	US 7014374	21.03.2006	US 2003-0670120	25.09.2003	
3	A1	US 2004218209	04.11.2004	US 2003-0670120	25.09.2003	

Legal Status, Cited Documents

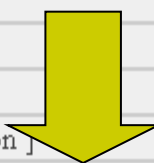
Application Number. JP 2003-0123456

[File Wrapper Information](#)

Legal Status

Click "File Wrapper Information" for the latest status.

[Publication number]	2004-164561
[Date of request for examination]	14.02.2005
[Date of sending the examiner's decision of rejection]	
[Kind of final disposal of application other than the examiner's]	withdrawal
[Date of final disposal for application]	11.12.2007
[Patent number]	
[Date of registration]	
[Number of appeal against examiner's decision of rejection]	
[Date of requesting appeal against examiner's decision of rejection]	
[Date of extinction of right]	



Cited Documents

[RETURN TO TOP PAGE](#)

[HELP](#)

[SEARCH](#)

Searched Number : [2003-123456](#)

[Legal status, Cited documents](#)

Patent Family

No.	Kind	Publication No.	Publ. Date	Application No.	Appl. Date	Related Information.
1	A	JP 2004-164561	10.06.2004	JP 2003-0123456	28.04.2003	Legal status, Cited documents
2	B2	US 7014374	21.03.2006	US 2003-0670120	25.09.2003	
3	A1	US 2004218209	04.11.2004	US 2003-0670120	25.09.2003	

[Date of extinction of right]

[Trial or opposition number]

[Date of demand for trial or opposition]

[Kind of final disposal of trial or opposition]

[Date of final disposal of trial or opposition]

[Renewal date]

31.07.2008

Cited Documents

No.	Kind	Document No.	Patent Family
1	A	JP 07-98637	Patent Family
2	A	JP 2000-20275	Patent Family
3	A	JP 05-127850	Patent Family

Link to English Abstract

RETURN TO TOP PAGE

HELP

SEARCH

Searched Number : [2003-123456](#)

Legal status, Cited documents

Patent Family

No.	Kind	Publication No.	Publ. Date	Application No.	Appl. Date	Related Information.
1	A	JP 2004-164561	10.06.2004	JP 2003-0123456	28.04.2003	Legal status, Cited documents
2	B2	US 7014374	21.03.2006	US 2003-0670120	25.09.2003	
3	A1	US 2004218209	04.11.2004	US 2003-0670120	25.09.2003	

[Date of extinction of right]

[Trial or opposition number]

[Date of demand for trial or opposition]

[Kind of final disposal of trial or opposition]

[Date of final disposal of trial or opposition]

[Renewal date]

31.07.2008

Cited Documents

No.	Kind	Document No.	Patent Family
1	A	JP 07-98637	Patent Family
2	A	JP 2000-20275	Patent Family
3	A	JP 05-127850	Patent Family

Patent Family of Cited Documents

[RETURN TO TOP PAGE](#)

[HELP](#)

[SEARCH](#)

Searched Number : [2003-123456](#)

[Legal status, Cited documents](#)

Patent Family

No.	Kind	Publication No.	Publ. Date	Application No.	Appl. Date	Related Information.
1	A	JP 2004-164561	10.06.2004	JP 2003-0123456	28.04.2003	Legal status, Cited documents
2	B2	US 7014374	21.03.2006	US 2003-0670120	25.09.2003	
3	A1	US 2004218209	04.11.2004	US 2003-0670120	25.09.2003	

[Date of extinction of right]

[Trial or opposition number]

[Date of demand for trial or opposition]

[Kind of final disposal of trial or opposition]

[Date of final disposal of trial or opposition]

[Renewal date]

31.07.2008

Cited Documents

No.	Kind	Document No.	Patent Family
1	A	JP 07-98637	Patent Family
2	A	JP 2000-20275	Patent Family
3	A	JP 05-127850	Patent Family

Patent Family of Cited Documents

Patent Family						
No.	Kind	Publication No.	Publ. Date	Application No.	Appl. Date	Related Information.
1	A	JP 2000-20275	21.01.2000	JP 1998-0186072	01.07.1998	Legal status, Cited documents

Legal Status, Cited Documents		Application Number. JP 1998-0186072	File Wrapper Information ^
Legal Status Click "File Wrapper Information" for the latest status.			
[Publication number]	2000-020275		
[Date of request for examination]			
[Date of sending the examiner's decision of rejection]			
[Kind of final disposal of application other than the examiner's]			
[Date of final disposal for application]			
[Patent number]			
[Date of registration]			
[Number of appeal against examiner's decision of rejection]			
[Date of requesting appeal against examiner's decision of rejection]			
[Date of extinction of right]			
[Trial or opposition number]			
[Date of demand for trial or opposition]			
[Kind of final disposal of trial or opposition]			
[Date of final disposal of trial or opposition]			
[Renewal date]	03.02.2006		

□ What is the AIPN?

- Web based service for Foreign IPO's Examiners Utilizing Examination Results by JPO.

□ Services of the AIPN

- Dossier Information and Legal Status in English by Machine Translation.

□ How to use the AIPN

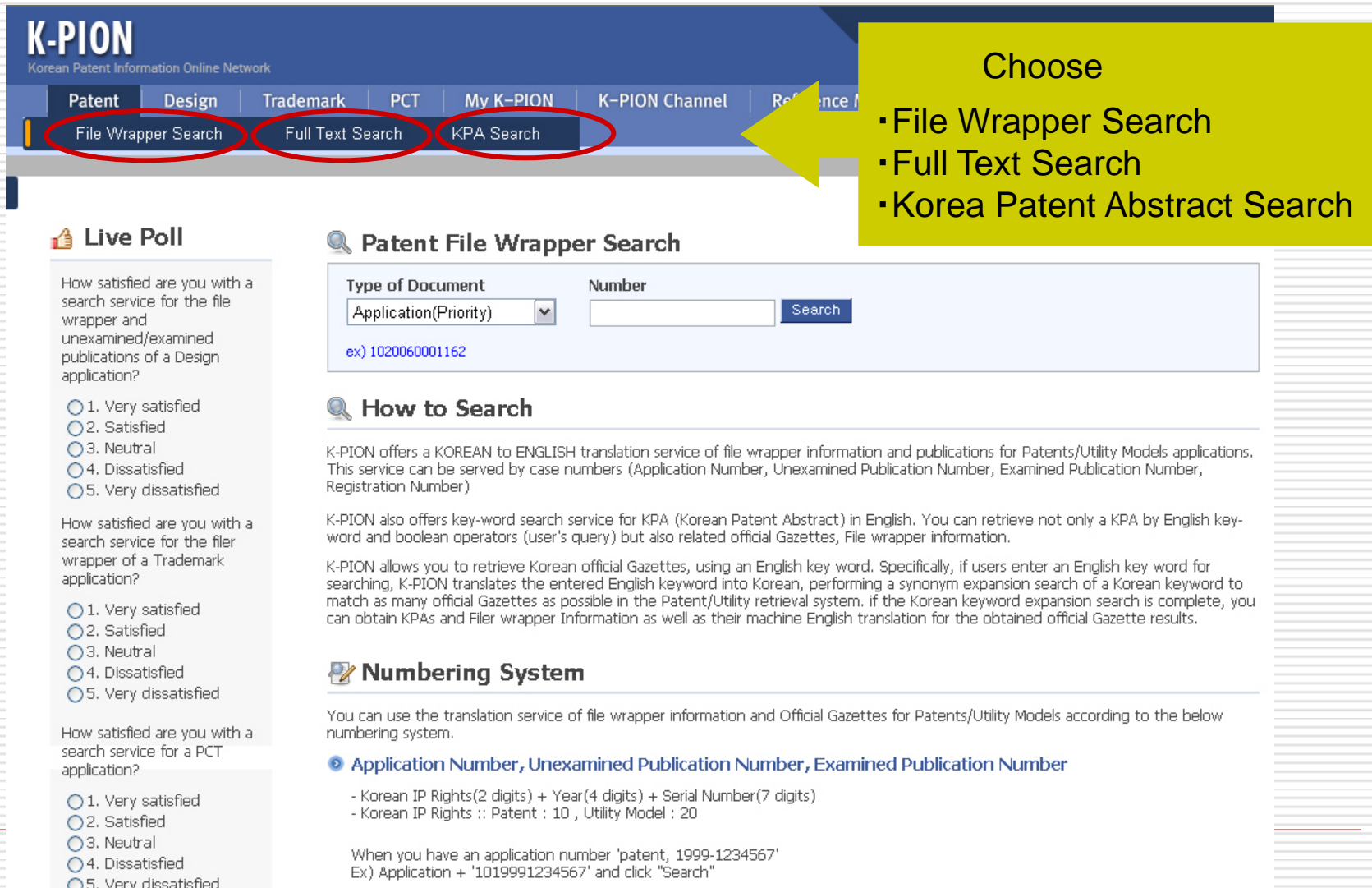
- Just Access: <http://aipn.ipdl.inpit.go.jp/>
-

**Retrieving and Utilizing
External Results:
Korean Patent Information Online Network
(K-PION)**

- ❑ KOREAN to ENGLISH translation service of file wrapper information and publications for Patents/Utility Models applications
- ❑ served by case numbers (Application Number, Unexamined Publication Number, Examined Publication Number, Registration Number)
- ❑ key-word search service for KPA (Korean Patent Abstract) in English. You can retrieve not only a KPA by English key-word but also related official Gazettes, File wrapper information

How to use the K-PION

□ URL: <http://kposd.kipo.go.kr:8088/up/kpion/>



K-PION
Korean Patent Information Online Network

Patent Design Trademark PCT My K-PION K-PION Channel Reference

File Wrapper Search Full Text Search KPA Search

Choose

- File Wrapper Search
- Full Text Search
- Korea Patent Abstract Search

Live Poll

How satisfied are you with a search service for the file wrapper and unexamined/examined publications of a Design application?

1. Very satisfied
 2. Satisfied
 3. Neutral
 4. Dissatisfied
 5. Very dissatisfied

How satisfied are you with a search service for the file wrapper of a Trademark application?

1. Very satisfied
 2. Satisfied
 3. Neutral
 4. Dissatisfied
 5. Very dissatisfied

How satisfied are you with a search service for a PCT application?

1. Very satisfied
 2. Satisfied
 3. Neutral
 4. Dissatisfied
 5. Very dissatisfied

Patent File Wrapper Search

Type of Document: Application(Priority) Number: [] Search

ex) 1020060001162

How to Search

K-PION offers a KOREAN to ENGLISH translation service of file wrapper information and publications for Patents/Utility Models applications. This service can be served by case numbers (Application Number, Unexamined Publication Number, Examined Publication Number, Registration Number)

K-PION also offers key-word search service for KPA (Korean Patent Abstract) in English. You can retrieve not only a KPA by English key-word and boolean operators (user's query) but also related official Gazettes, File wrapper information.

K-PION allows you to retrieve Korean official Gazettes, using an English key word. Specifically, if users enter an English key word for searching, K-PION translates the entered English keyword into Korean, performing a synonym expansion search of a Korean keyword to match as many official Gazettes as possible in the Patent/Utility retrieval system. If the Korean keyword expansion search is complete, you can obtain KPAs and Filer wrapper Information as well as their machine English translation for the obtained official Gazette results.

Numbering System

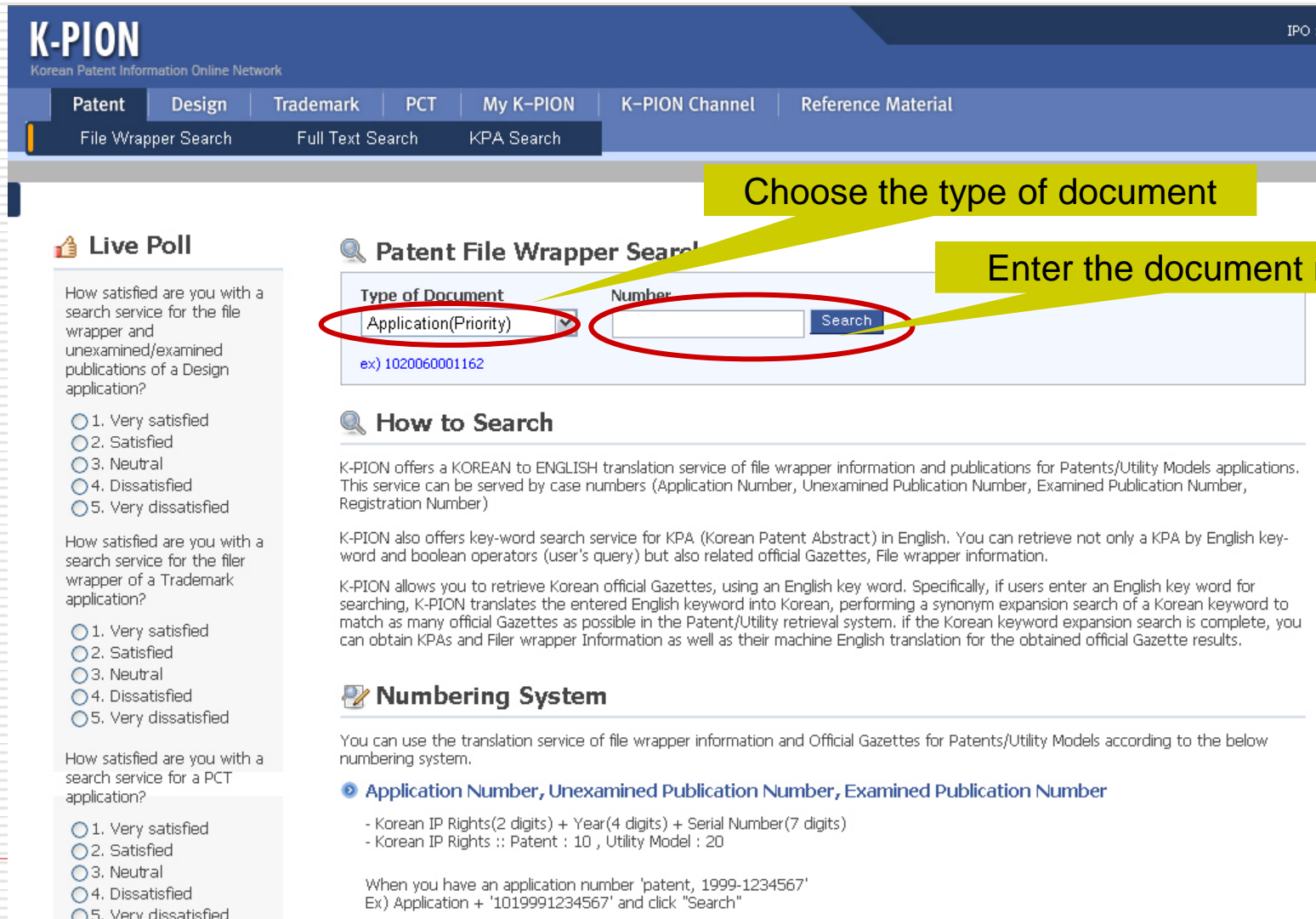
You can use the translation service of file wrapper information and Official Gazettes for Patents/Utility Models according to the below numbering system.

- Application Number, Unexamined Publication Number, Examined Publication Number
 - Korean IP Rights(2 digits) + Year(4 digits) + Serial Number(7 digits)
 - Korean IP Rights :: Patent : 10 , Utility Model : 20

When you have an application number 'patent, 1999-1234567'
Ex) Application + '1019991234567' and click "Search"

File Wrapper Information Search

□ URL: <http://kposd.kipo.go.kr:8088/up/kpion/>



K-PION
Korean Patent Information Online Network

IPO :

Patent | Design | Trademark | PCT | My K-PION | K-PION Channel | Reference Material

File Wrapper Search | Full Text Search | KPA Search

Choose the type of document

Enter the document number

Live Poll

How satisfied are you with a search service for the file wrapper and unexamined/examined publications of a Design application?

1. Very satisfied
 2. Satisfied
 3. Neutral
 4. Dissatisfied
 5. Very dissatisfied

How satisfied are you with a search service for the file wrapper of a Trademark application?

1. Very satisfied
 2. Satisfied
 3. Neutral
 4. Dissatisfied
 5. Very dissatisfied

How satisfied are you with a search service for a PCT application?

1. Very satisfied
 2. Satisfied
 3. Neutral
 4. Dissatisfied
 5. Very dissatisfied

Patent File Wrapper Search

Type of Document: Application(Priority) | Number: | Search

ex) 1020060001162

How to Search

K-PION offers a KOREAN to ENGLISH translation service of file wrapper information and publications for Patents/Utility Models applications. This service can be served by case numbers (Application Number, Unexamined Publication Number, Examined Publication Number, Registration Number)

K-PION also offers key-word search service for KPA (Korean Patent Abstract) in English. You can retrieve not only a KPA by English key-word and boolean operators (User's query) but also related official Gazettes, File wrapper information.

K-PION allows you to retrieve Korean official Gazettes, using an English key word. Specifically, if users enter an English key word for searching, K-PION translates the entered English keyword into Korean, performing a synonym expansion search of a Korean keyword to match as many official Gazettes as possible in the Patent/Utility retrieval system. If the Korean keyword expansion search is complete, you can obtain KPAs and Filer wrapper Information as well as their machine English translation for the obtained official Gazette results.

Numbering System

You can use the translation service of file wrapper information and Official Gazettes for Patents/Utility Models according to the below numbering system.

- **Application Number, Unexamined Publication Number, Examined Publication Number**
 - Korean IP Rights(2 digits) + Year(4 digits) + Serial Number(7 digits)
 - Korean IP Rights :: Patent : 10 , Utility Model : 20

When you have an application number 'patent, 1999-1234567'
Ex) Application + '1019991234567' and click "Search"

Result - Bibliography Data

K-PION

Korean Patent Information Online Network

IPO :

Patent

Design

Trademark

PCT

My K-PION

K-PION Channel

Reference Material

Home > Patent Search > File Wrapper Search

Patent File Wrapper Information

Detailed bibliographic information

Live Poll

How satisfied are you with a search service for the file wrapper and unexamined/examined publications of a Design application?

- 1. Very satisfied
- 2. Satisfied
- 3. Neutral
- 4. Dissatisfied
- 5. Very dissatisfied

How satisfied are you with a search service for the file wrapper of a Trademark application?

- 1. Very satisfied
- 2. Satisfied
- 3. Neutral
- 4. Dissatisfied
- 5. Very dissatisfied

How satisfied are you with a search service for a PCT

Type of Document: Application(Priority) Number: 1020040108790

ex) 1020040108790

Application No. **1020040108790** HIGH SPEED ANALOG ENVELOPE DETECTOR

Bibliography Data	Transaction History	Publication Document	Date (DD/MM/YYYY)
Application Number	1020040108790	Application Date	20/12/2004
Unexamined Publication Number	1020060070145	Unexamined Publication Date	23/06/2006
Examination Request Date	20/12/2004		
Examined Publication Number	-	Published Date	24/01/2007
Designated Class Code (IPC Code)	H04L 12/02	Number of Claims	13
Representative Applicant	SAMSUNG ELECTRONICS CO., LTD.	Representative Agent	YIM, Chang Hyun
Inventor	YU, JAE-SUK		
Registration Number	1006729870000	Registration Date	16/01/2007
International Application Number	-	Date of International Application	-
Title of Invention	HIGH SPEED ANALOG ENVELOPE DETECTOR		

Result - Transaction History

K-PION

Korean Patent Information Online Network

IPO :

Patent

Design

Trademark

PCT

My K-PION

K-PION Channel

Reference Material

File Wrapper Search

Full Text Search

KPA Search

Home > Patent Search > File Wrapper Search

Download some File Wrapper Information in Korea and English in PDF document

Live Poll

How satisfied are you with a search service for the file wrapper and unexamined/examined publications of a Design application?

- 1. Very satisfied
- 2. Satisfied
- 3. Neutral
- 4. Dissatisfied
- 5. Very dissatisfied

How satisfied are you with a search service for the file wrapper of a Trademark application?

- 1. Very satisfied
- 2. Satisfied
- 3. Neutral
- 4. Dissatisfied
- 5. Very dissatisfied

How satisfied are you with a search service for a PCT

Patent File Wrapper Search

Type of Document: Application(Priority) Number: 1020040108790 Search

ex) 1020040108790

Application No. **1020040108790** HIGH SPEED ANALOG ENVELOPE DETECTOR

Bibliography Data		Transaction History	Publication Document			
Date (DD/MM/YYYY)	English Doc Name	Korean Doc Name	Status	View	Download	
31/10/2006	Decision to grant	등록결정서	DISP			
19/07/2006	Amendment to Description, etc	명세서등보정서	RGAA			
19/07/2006	Written Opinion	의견서	ACPT			
25/05/2006	Notification of reason for refusal	의견제출통지서	DISP			
14/04/2006	Report of Prior Art Search	선행기술조사보고서	ACPT			
20/12/2004	Patent Application	특허출원서	ACPT			



Retrieve the document



The Korean Intellectual Property Office

Sending number : 9-5-2006-047042975
Dispatched date : 2006.08.16
Submission due
date.

KIPO Grant of Patent

Applicant,	Name, Address,	NT SYSTEM CO.,LTD(applicant code: 120060003764) Secure Information
Agent,	Name, Address,	Byeong - Ju Choi Secure Information
Application No, Title of Invention	10-2006-0001162 a signpost for road boundary	
Claim,	1	

This application has been granted a patent under Article 66 of the Patent Act.

(the patent right takes an effect by paying the patent fee and registering under Article 87 of Patent Act)

[Special remarks]

Search toward the earlier applicant of the present patent invention for data opened to 2006.08. 16. And it did not to decide in connection with the earlier applicant thereafter opened this date of the violation whether or not about the rules of article 29(3) and Article 29(4) of Patent Act or the article 36(1) through (3). End.

2006.08.16



You can save
the document
by downloading
in PDF

Result - Publication Document

K-PION

Korean Patent Information Online Network

IPO :

Patent

Design

Trademark

PCT

My K-PION

K-PION Channel

Reference Material

Home > Patent Search > File Wrapper Search

Patent File Wrapper Search

Type of Document

Application(Priority)

Number

1020040108790

Search

ex) 1020040108790

Application No. **1020040108790**

HIGH SPEED ANALOG ENVELOPE DETECTOR

Bibliography Data

Transaction History

Publication Document

Publication Type

Examined / Registered Publication Patent

Unexamined Publication Patent

View

KR EN

Download

PDF KR PDF EN

KR EN

PDF KR PDF EN

Download some Publication document in Korea and English in PDF

Refer to some Publication document in Korea and English in XML document

Live Poll

How satisfied are you with a search service for the file wrapper and unexamined/examined publications of a Design application?

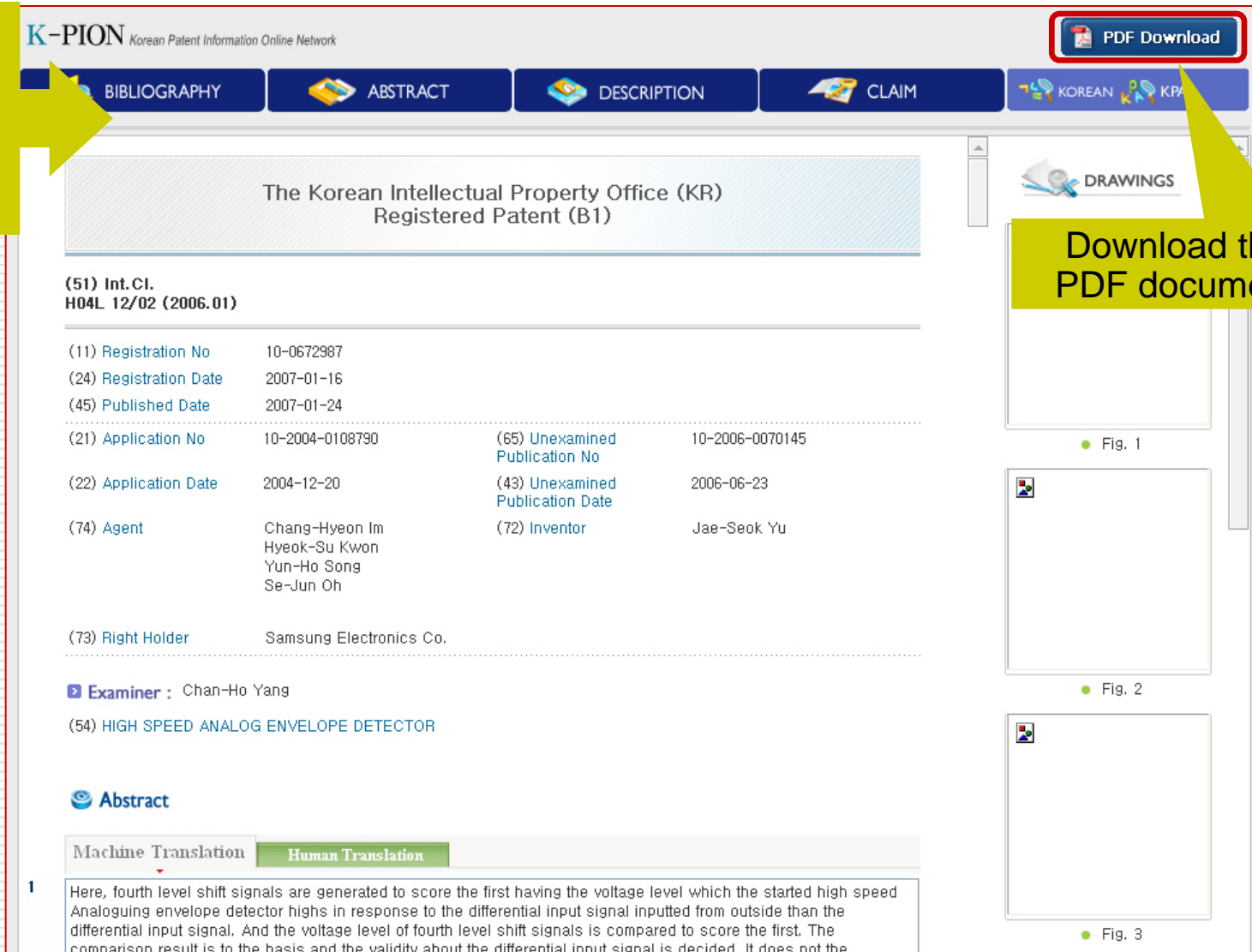
- 1. Very satisfied
- 2. Satisfied
- 3. Neutral
- 4. Dissatisfied
- 5. Very dissatisfied

How satisfied are you with a search service for the file wrapper of a Trademark application?

- 1. Very satisfied
- 2. Satisfied
- 3. Neutral
- 4. Dissatisfied
- 5. Very dissatisfied

Refer to the Publication in XML document

- Choose
- Bibliography
 - Abstract
 - Description
 - Claim



K-PION Korean Patent Information Online Network

PDF Download

BIBLIOGRAPHY ABSTRACT DESCRIPTION CLAIM KOREAN KPA

The Korean Intellectual Property Office (KR)
Registered Patent (B1)

(51) Int.Cl.
H04L 12/02 (2006.01)

(11) Registration No	10-0672987	(65) Unexamined Publication No	10-2006-0070145
(24) Registration Date	2007-01-16	(43) Unexamined Publication Date	2006-06-23
(45) Published Date	2007-01-24	(72) Inventor	Jae-Seok Yu
(21) Application No	10-2004-0108790	(73) Right Holder	Samsung Electronics Co.
(22) Application Date	2004-12-20		
(74) Agent	Chang-Hyeon Im Hyeok-Su Kwon Yun-Ho Song Se-Jun Oh		

Examiner : Chan-Ho Yang

(54) HIGH SPEED ANALOG ENVELOPE DETECTOR

Abstract

Machine Translation Human Translation

1 Here, fourth level shift signals are generated to score the first having the voltage level which the started high speed Analoguing envelope detector highs in response to the differential input signal inputted from outside than the differential input signal. And the voltage level of fourth level shift signals is compared to score the first. The comparison result is to the basis and the validity about the differential input signal is decided. It does not the

DRAWINGS

Fig. 1

Fig. 2

Fig. 3

Download the
PDF document

Download the PDF Document

K-PION

Korean Patent Information Online Network



Converting PDF

Retrieve the document

(19)The Korean Intellectual Property Office (KR) Registered Patent (B1)

(51) Int.Cl. 8
H04L 12/02 (2006.01)

Examined Publication Date	2007-01-24
Registration No	10-0672987
Registration Date	2007-01-16
Application No	10-2004-0108790
Application Date	2004-12-20
Publication Date	2006-06-23
Agent	Chang-Hyeon Im
Inventor	Jae-Seok Yu
Right Holder	SAMSUNG ELECTRONICS CO., LTD.
Examiner	Chan-Ho Yang
Title of Invention	HIGH SPEED ANALOG ENVELOPE DETECTOR
References	1020040108790 - 662985 KR1020020076736 A US6559686 B1 * US6791950 B2 * * The literature quoted by examiner.



Abstract

Here, fourth level shift signals are generated to score the first having the voltage level which the started high speed Analoguing envelope detector highs in response to the differential input signal inputted from outside than the differential input signal. And the voltage level of fourth level shift signals is compared to score the first. The comparison result is to the basis and the validity about the differential input signal is decided. It does not the separate reference voltage in validation to need. Therefore the structure of circuit is simple. It flexibles, it deals with the common mode voltage change etc.



You can save
the document
by downloading
in PDF

Full Text Search

K-PION
Korean Patent Information Online Network

IPO :

Patent Design Trademark PCT My K-PION K-PION Channel Reference Material

File Wrapper Search **Full Text Search** KPA Search

Home

Patent Full Text Search

Applicant (AP)	<input type="text"/>	
Inventor (IN)	<input type="text"/>	
Publication No. (OPN)	<input type="text"/>	102
Publication Date (OPD)	<input type="text"/>	ex) 200
Application No. (AN)	<input type="text"/>	ex) 102
Application Date (AD)	<input type="text"/>	ex) 200
Registration No. (GN)	<input type="text"/>	ex) 1006729870000
Registration Date (GD)	<input type="text"/>	ex) 20040421
IPC (IPC)	<input type="text"/>	ex) B60R 13/10
Priority No. (RN)	<input type="text"/>	ex) 11/029347
Priority Country. (RC)	<input type="text"/>	ex) JP [HELP]
Title (ETL)	<input type="text"/>	
Abstract (AB)	<input type="text"/>	ex) LCD*monitor Korean Query Expansion
Full Text (TO)	<input type="text"/>	

Live Poll

How satisfied are you with a search service for the file wrapper and unexamined/examined publications of a Design application?

1. Very satisfied
 2. Satisfied
 3. Neutral
 4. Dissatisfied
 5. Very dissatisfied

How satisfied are you with a search service for the filer wrapper of a Trademark application?

1. Very satisfied
 2. Satisfied
 3. Neutral
 4. Dissatisfied
 5. Very dissatisfied

How satisfied are you with a search service for a PCT application?

1. Very satisfied
 2. Satisfied
 3. Neutral
 4. Dissatisfied

Search from many types of No.

- Application No.
- Priority No.
- Publication No.
- Patent No.
- Registration NO.

and so on

Refer to/Download the Full Text

K-PION

Korean Patent Information Online Network

IPO :

- Patent
- Design
- Trademark
- PCT
- My K-PION
- K-PION Channel
- Reference Material

Home > Patent Search > Full Text Search

Patent Full Text Search

Live Poll

How satisfied are you with a search service for the file wrapper and unexamined/examined publications of a Design application?

- 1. Very satisfied
- 2. Satisfied
- 3. Neutral
- 4. Dissatisfied
- 5. Very dissatisfied

How satisfied are you with a search service for the file wrapper of a Trademark application?

- 1. Very satisfied
- 2. Satisfied
- 3. Neutral
- 4. Dissatisfied
- 5. Very dissatisfied

How satisfied are you with a search service for a PCT application?

Search Field: Applicant(AP) Query:

Search within results

Korean Query Expansion (QE)

Original Query: AN=[1020040108790]
Expanded Query: AN=[1020040108790]

Refer to the Full Text in XML

(1 of 1)

* whenever you click the title of field on search result list, the search result will be sorted by ascending or descending

No	Drawing	AppNo	Pub No.	Pub Date	IPC	Title	Link
1		1020040108790	1020060070145	23-06-2006	H04L12/02	En : HIGH SPEED ANALOG ENVELOPE DETECTOR CAPABLE OF DETERMINING VALIDITY OF A RECEIVED SIGNAL WITHOUT USING A SEPARATE REFERENCE VOLTAGE Kr : 고속 아날로그 인벨로프 디텍터	<input type="button" value="F"/> <input type="button" value="PDF EN U"/> <input type="button" value="PDF EN E/R"/>

Red circles highlighting the 'F' button and the PDF download buttons.

Navigation icons: back, forward, page 1, search, refresh

Page: 1 of 1

Download the Publication document (Unexamined or Examined/Registered) in PDF

K-PION

Korean Patent Information Online Network

IPO

- Patent
- Design
- Trademark
- PCT
- My K-PION
- K-PION Channel
- Reference Material

- File Wrapper Search
- Full Text Search
- KPA Search

Home > Patent Search > KPA Search

KPA Search

Live Poll

How satisfied are you with a search service for the file wrapper and unexamined/examined publications of a Design application?

- 1. Very satisfied
- 2. Satisfied
- 3. Neutral
- 4. Dissatisfied
- 5. Very dissatisfied

How satisfied are you with a search service for the filer wrapper of a Trademark application?

- 1. Very satisfied
- 2. Satisfied
- 3. Neutral
- 4. Dissatisfied
- 5. Very dissatisfied

How satisfied are you with a search service for a PCT application?

- 1. Very satisfied
- 2. Satisfied
- 3. Neutral
- 4. Dissatisfied
- 5. Very dissatisfied

Please make suggestions

Applicant (AP)	<input type="text"/>	ex) Samsung
Inventor (IN)	<input type="text"/>	ex) james
Publication No. (OPN)	<input type="text"/>	ex) 1020070010206
Publication Date (OPD)	<input type="text"/>	ex) 20060122
Application No. (AN)	<input type="text"/>	ex) 1020070000014
Application Date (AD)	<input type="text"/>	ex) 20040323
Registration No. (GN)	<input type="text"/>	ex) 1006729870000
Registration Date (GD)	<input type="text"/>	ex) 20040421
IPC (IPC)	<input type="text"/>	ex) B60R 13/10
Priority No. (RN)	<input type="text"/>	ex) 11/029347
Priority Country. (RC)	<input type="text"/>	ex) JP [HELP]
Title (TL)	<input type="text"/>	ex) LCD*monitor
Abstract (AB)	<input type="text"/>	ex) LCD*monitor
Title+Abstract (TO)	<input type="text"/>	ex) LCD*monitor

Refer to/Download the Full Text

ブラウザのアドレスバー: <http://kposd.kipo.go.kr:8088/up/kpion/>

K-PION

Korean Patent Information Online Network

IPO

Patent | Design | Trademark | PCT | My K-PION | K-PION Channel | Reference Material

Home > Patent Search > KPA Search

KPA Search


Search Field: Applicant(AP) Query:

Search within results **Search**

Query: AN=[1020040108790]

(1 of 1)

* whenever you click the title of field on search result list, the search result will be sorted by ascending or descending

No	AppNo	Pub No.	Pub Date	IPC	Title	Link
1	1020040108790	10200600070145	23-06-2006	H04L12/02	HIGH SPEED ANALOG ENVELOP DETECTOR CAPABLE OF DETERMINING VALIDITY OF A RECEIVED SIGNAL WITHOUT USING A SEPARATE REFERENCE VOLTAGE	F U E/R  PDF en

Items per page: 20 / 30 / 50

Navigation: << < 1 > >>

Jump To: of 1 **Page**

Link

F U E/R

PDF en

Retrieve the document

KPA (Korean Patent Abstracts)

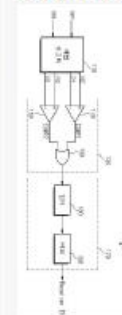
Application No.	1020040108790	Application Date	20/12/2004
Unexamined Publication No.	1020060070145	Unexamined Publication Date	23/06/2006
Examination Request Date	20/12/2004		
Examined Publication No.		Published Date	24/01/2007
Designated Class Code (IPC Code)	H04L 12/02	Number of Claims	13
Representative Applicant	SAMSUNG ELECTRONICS CO., LTD.	Representative Agent	YIM, Chang Hyun
Inventor	YU, JAE-SUK		
Registration No.	1006729870000	Registration Date	16/01/2007
International Application Number		Date of International Application	
Title of Invention	HIGH SPEED ANALOG ENVELOPE DETECTOR		

You can save the document by downloading in PDF

Abstract

PURPOSE: A high speed analog envelop detector is provided to flexibly cope with a change in a range of an input voltage and a common mode voltage. **CONSTITUTION:** A level shifter(110) generates the first to fourth level shift signals(P1,P2,N1,N2) having a voltage level higher than that of differential input signals(INP, INN) in response to the differential input signals(INP, INN) inputted from the outside. A comparison unit(130) compares voltage levels of the first to fourth level shift signals and determines validity of the differential input signals(INP, INN) based on the comparison result.

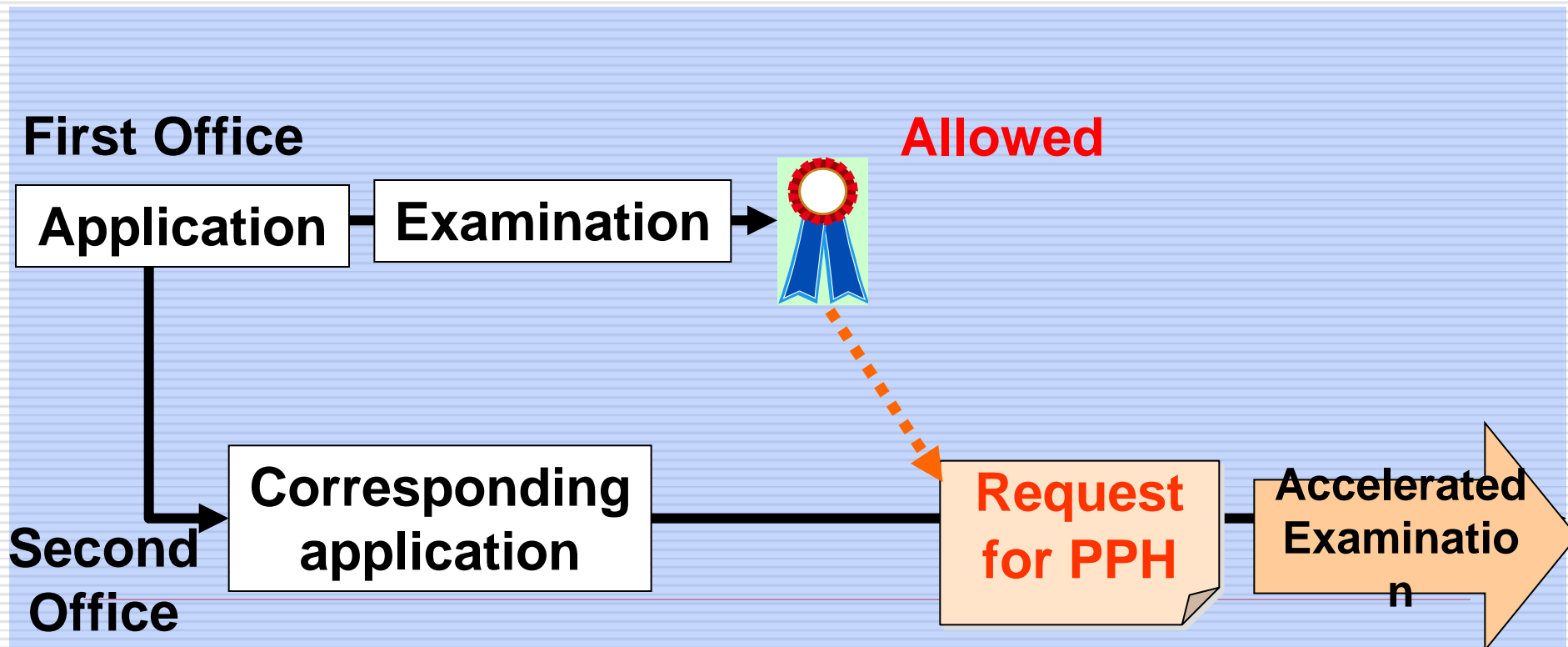
Representative Drawing



Search results of other offices: Patent Prosecution Highway (PPH)

What is PPH

- PPH is a scheme which enables an application with claims determined to be patentable in the First Office to undergo an accelerated examination in the Second Office with a simple procedure upon request for PPH by an applicant.



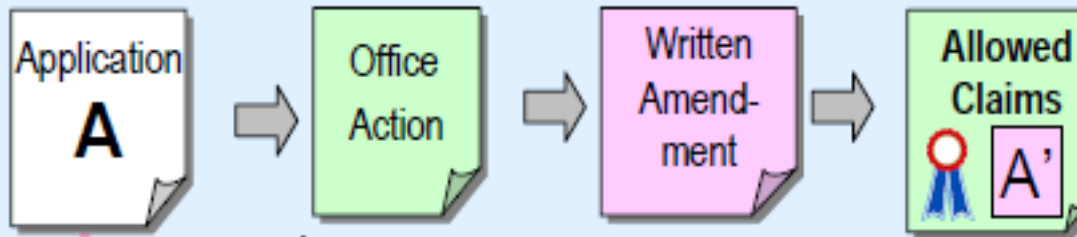
Points of PPH

- ❑ All claims in the OSF application sufficiently correspond to the claims already determined to be patentable in the OFF.

 - ❑ Applicants submit
 1. A table listing and containing an explanation of the sufficiently corresponding claims
 2. A copy of the claims already determined to be patentable in the OFF
 3. Copies of all office actions of the OFF
 4. Copies of references cited by the OFF examiner
-

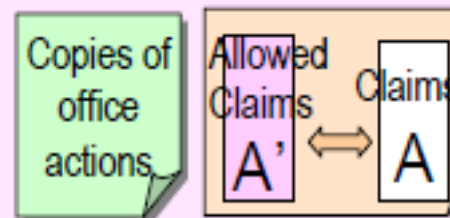
Framework of PPH

First Office

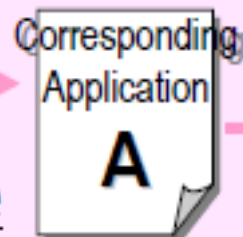


Provide prosecution history documents of the first office (if not available via network)

Claims X must sufficiently correspond to Allowed Claims X'



Second Office



Accelerated Exam

Additional Search and Examination

Exploitation of examination history of other offices

- In addition to the merit brought by exploiting search and examination result of other office, under PPH scheme,

all claims in the second office application have already overcome the reasons for refusal found by an examiner of the first office.



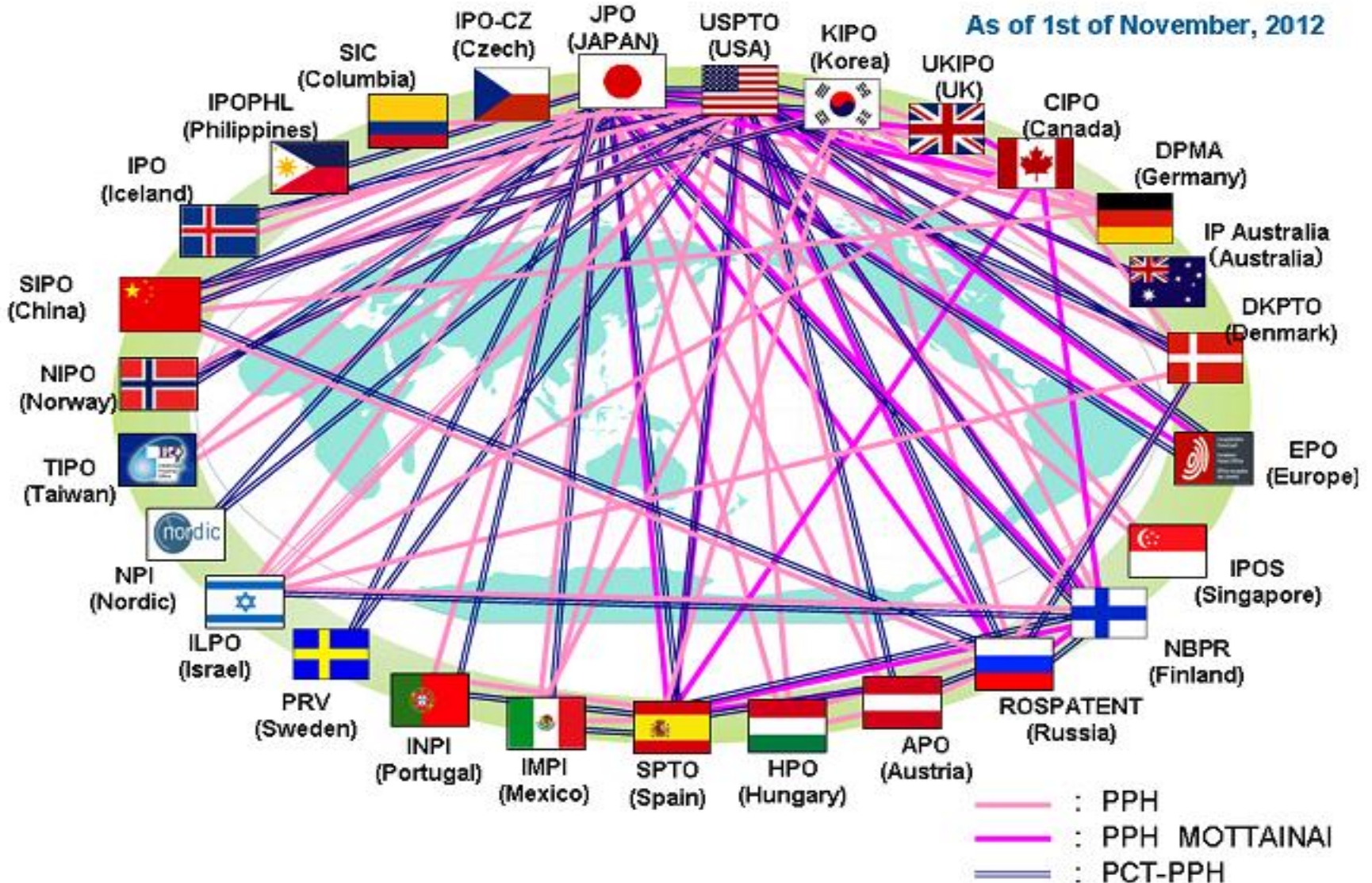
- An examiner of the second office
 1. don't need to draft a duplicated reasons for refusal of the first office's one.
 2. can concentrate on search and examination for the claims determined to be patentable in the first office.
-

Effect of PPH

- PPH enhances the utilization of search and examination results between IP Offices in the world so as to reduce the burden of examination
and
- to enhance the quality of examination worldwide.

Expansion of PPH Network

27 countries and regions join in PPH



Thank you!