

# WIPO



PCT/TCO/SS/I/ 2

ENGLISH ONLY

DATE: October 15, 1971

## WORLD INTELLECTUAL PROPERTY ORGANIZATION

UNITED INTERNATIONAL BUREAUX FOR THE PROTECTION OF INTELLECTUAL PROPERTY

### PATENT COOPERATION TREATY

#### INTERIM COMMITTEE ON TECHNICAL COOPERATION

#### STANDING SUBCOMMITTEE

First Session: Geneva, December 8 to 10, 1971

MINIMUM DOCUMENTATION: NATIONAL PATENT DOCUMENTS

Report prepared by the International Bureau

#### Introduction

1. Article 15(4) of the PCT provides that any International Searching Authority must consult "the documentation specified in the Regulations," and Rule 34.1(b) of the PCT Regulations provides that the documentation referred to in Article 15(4) ("minimum documentation") shall among other things include "national patent documents," as specified in paragraph (c) of the same Rule.

2. According to the provisions of said paragraph (c), the "national patent documents" shall be, subject to paragraphs (d) and (e), the following:

- (i) the patents issued in and after 1920 by France, the former Reichspatentamt of Germany, Japan, the Soviet Union, Switzerland (in French and German languages only), the United Kingdom, and the United States of America,
- (ii) the patents issued by the Federal Republic of Germany,
- (iii) the patent applications, if any, published in and after 1920 in the countries referred to in items (i) and (ii),
- (iv) the inventors' certificates issued by the Soviet Union,
- (v) the utility certificates issued by, and the published applications for utility certificates of, France,

- (vi) such patents issued by, and such patent applications published in, any other country after 1920 as are in the English, French, or German language and in which no priority is claimed, provided that the national Office of the interested country sorts out these documents and places them at the disposal of each International Searching Authority.

3. In some countries, the invention is published more than once, e.g., once (or twice) as an application and again in the form of the patent granted.

4. For these cases, PCT Rule 34.1(d) provides as follows: "Where an application is republished once (for example, an Offenlegungsschrift, as an Auslegeschrift) or more than once, no International Searching Authority shall be obliged to keep all versions in its documentation; consequently, each such Authority shall be entitled not to keep more than one version. Furthermore, where an application is granted and is issued in the form of a patent or a utility certificate (France), no International Searching Authority shall be obliged to keep both the application and the patent or utility certificate (France) in its documentation; consequently, each such Authority shall be entitled to keep either the application only or the patent or utility certificate (France) only."

5. PCT Rule 34.1(e) provides that any International Searching Authority whose official language, or one of whose official languages, is not Japanese or Russian is entitled not to include in its documentation those patent documents of Japan and the Soviet Union, respectively, for which no abstracts in the English language are generally available.

6. Finally, with regard to applications which have only been laid open for public inspection, PCT Rule 34.1(f) stipulates that (for the purposes of that Rule), such applications are not considered published applications.

7. In accordance with the program recommended by the Interim Committee for Technical Cooperation during its first session in Geneva in February 1971, the International Bureau has:

- (i) prepared a detailed inventory of the patent documents referred to in PCT Rule 34.1(c)(i) to (v),

- (ii) taken steps to prepare, in cooperation with the national Offices of the interested countries, an inventory of those English, French and German language documents which, under PCT Rule 34.1(c)(vi), may be expected to be placed at the disposal of each International Searching Authority. Accordingly, the national Offices of Austria, Australia, Belgium, Canada, Ceylon, India, Ireland, Israel, Luxembourg, Monaco, New Zealand, Pakistan, Philippines and South Africa, and the African and Malagasy Industrial Property Office (OAMPI) have been contacted.

Detailed Inventory of the Patent Documents of the Seven Countries

8. In full cooperation with the national Offices of the seven countries mentioned in Rule 34.1(c)(i) and (ii), the International Bureau has prepared a detailed inventory of the patent documents issued between January 1, 1920 and July 1, 1971 by France, the German Reichspatentamt, Germany (Federal Republic), Japan, the Soviet Union, Switzerland, the United Kingdom and the United States of America.

9. This inventory, together with explanatory notes, is attached to this report as follows:

Summary Table of the Patent Documents of the Seven Countries:	Annex A
Explanatory Note on the Patent Documents of France:	Annex B
Explanatory Note on the Patent Documents of the German <u>Reichspatentamt</u> and of Germany (Federal Republic):	Annex C
Explanatory Note on the Patent Documents of Japan:	Annex D
Explanatory Note on the Patent Documents of the Soviet Union:	Annex E
Explanatory Note on the French and German language Patent Documents of Switzerland:	Annex F
Explanatory Note on the Patent Documents of the United Kingdom:	Annex G
Explanatory Note on the Patent Documents of the United States of America:	Annex H

10. The Inventory indicates for each country the serial numbers of the documents. Where the system of the numbering changed in the course of the 51½-year period under consideration, the periods to which each system relates are indicated.

11. Estimations have been made for each country of the total number of documents so listed.

12. Since the systems which are, and during the 51½ years were, in force in the seven countries show substantial differences one from the other, the structure of the Explanatory Notes differs from country to country and is explained in the introductory paragraphs to each of the seven Annexes.

Inventory of those English, French and German Language Documents which, under Rule 34.1(c)(vi) of the PCT Regulations, may be expected to be included in the Minimum Documentation

13. The International Bureau has sent a circular to the Offices referred to in paragraph 7(ii) in order to establish which English, French and German language documents may be expected to be included in the PCT minimum documentation under PCT Rule 34.1(c)(vi). The circular of the International Bureau and the replies of the Offices received so far are attached as Annex J. Any further reply received will be communicated in due course.

14. On the basis of these replies, a supplement to the Inventory of patent documents listing the documents to be included in the PCT minimum documentation under Rule 34.1(c)(vi) of the Regulations will have to be established.

15. The Standing Subcommittee is invited to examine the present document and indicate any steps it recommends should be taken to perfect and keep up to date the inventory.

/Annexes A to J follow/

F 1/TCO/SS/I/2  
Annex A

SUMMARY TABLE OF THE PATENT DOCUMENTS OF THE SEVEN COUNTRIES

(January 1, 1920 to July 1, 1971)

Issuing country	Patents	Other types of issued patent documents	Published applications for all types of patent documents	Approximate total number	Notes
France	<ol style="list-style-type: none"> <li>1. Patents of invention Nos. 498,201 - 1,604,050</li> <li>2. Patents for medicines Nos. 1 - 8,451</li> </ol>	<ol style="list-style-type: none"> <li>1. Certificates of addition (to patents) Nos. 20,951 - 95,850</li> <li>2. Certificates of addition (to patents for medicines) Nos. 1 - 350</li> </ol>	<ol style="list-style-type: none"> <li>1. Applications for all types of patent documents Nos. 2,000,001 - 2,062,862</li> </ol>	<p>All documents: 1,257,000</p> <p>First publications only: 1,252,000</p>	
German Reichspatentamt and Germany (Federal Republic)	<ol style="list-style-type: none"> <li>1. Patents issued by the former Reichspatentamt of Germany Nos. 280,717 - 317,999 (not consecutive) Nos. 318,000 - 768,161</li> <li>2. Patents and patents of addition Nos. 800,001 - 980,132; 1,000,001 - 1,302,895; 1,400,001 - 1,798,323; 1,800,001 - 1,817,680; 1,900,001 - 1,965,633; 2,000,001 - 2,012,862</li> </ol>		<ol style="list-style-type: none"> <li>1. Offenlegungsschriften (non-examined applications) Nos. 1,400,001 - 1,798,402; 1,800,001 - 1,817,794; 1,900,001 - 1,966,106; 2,000,001 - 2,064,862</li> <li>2. Published examined applications of the period September 1, 1955 to January 1, 1957: first number B22624.VI b/Ic, last number M29450.III/89b</li> <li>3. Auslegeschriften (examined applications) Nos. 1,000 001 - 1,303,280: 1.400,001 - 1,798,378; 1,800,001 - 1,817,732; 1,900,001 - 1,965,851; 2,000,001 - 2,057,605</li> </ol>	<p>All documents: 1,484,000</p> <p>First publications only: 1,176,000</p>	

PCT/TCO/SS/I/2  
Annex A  
page 2

Issuing  
country

Patents

Other types of issued  
patent documents

Published applications for all  
types of patent documents

Approximate  
total number

Notes

Japan

1. Granted patent specifications ("Tokkyo Meisai sho") in the following years:  
1920 - 1950: Nos. 35,166 - 181,600;  
1951 - 1955: no publication;  
1956: Nos 181,601 - 183,340 publication was discontinued after 1956.

1. Published examined applications ("Tokkyo Koho") as follows:

Year	Number	Year	Number
		1947	1 - 2,100
		1948	1 - 3,500
1922	1 - 840		1 - 4,750
1923	50,001 - 52,180		1 - 4,950
1924	1 - 2,840	1951	1 - 7,850
1925	2,841 - 7,390	1952	1 - 5,450
1926	7,391 - 11,310	1953	1 - 6,700
1927	1 - 5,215	1954	1 - 8,700
1928	1 - 5,145	1955	1 - 9,550
1929	1 - 5,320	1956	1 - 10,950
1930	1 - 5,180	1957	1 - 10,900
1931	1 - 4,900	1958	1 - 10,800
1932	1 - 5,705	1959	1 - 11,050
1933	1 - 5,460	1960	1 - 18,750
1934	1 - 4,970	1961	1 - 24,250
1935	1 - 5,460	1962	1 - 19,000
1936	1 - 4,970	1963	1 - 26,950
1937	1 - 5,005	1964	1 - 30,380
1938	1 - 5,495	1965	1 - 29,240
1939	1 - 6,580	1966	1 - 22,400
1940	1 - 7,540	1967	1 - 27,680
1941	1 - 7,500	1968	1 - 30,480
1942	1 - 6,300	1969	1 - 32,800
1943	1 - 5,900	1970	1 - 41,640
1944 )		1971	1 - 23,000
1945 ) No publication			(to July 1,
1946 )			1971)

539,000 for  
Japanese Office,  
167,000 for others

, Derwent Abstracts,  
from January 5, 1962,  
of approximately  
115,000 published  
examined applications  
in chemical field and  
atomic energy  
(Div. II).  
  
Japan Patent Center  
abstracts, from  
September 1967, of  
approximately 52,360  
published examined  
applications  
(Divs. IV and VI).

PCT/TCO/SS/I/2  
Annex A  
page 3

Issuing country	Patents	Other types of issued patent documents	Published applications for all types of patent documents	Approximate total number	Notes
Switzerland	<p>1. Patents of 1920 and 1921, numbering non-consecutive from Nos. 71,331 to 83,751, altogether 619 documents (see Annex F, pages 10 and 11)</p> <p>2. Patents Nos. 83,752 - 507,630 (for numbers withheld from publication, see the list in Annex F, para. 17). In both groups, patents in French and German only</p>		<p>1. Published examined applications for textile and horology (in French and German only), altogether 4,087 documents</p>	<p>All documents 417,000</p> <p>First publications 413,000</p>	
Soviet Union	<p>1. Patents and inventors' certificates Nos. 1 - 308,696</p>			<p>309,000 for Soviet Office; 139,000 for others</p>	<p>The English language abstracts (Derwent) generally available as from No. 134,675 onwards with some omission; estimated total number of abstracts 139,000</p>
United Kingdom	<p>1. Complete specifications with non-consecutive numbering (altogether 87 documents) Nos. 105,769 - 135,820 (for numbers, see the list in Annex G, page 5)</p> <p>2. Complete specifications Nos. 135,874 - 1,237,900</p>			<p>1,102,000</p>	
United States of America	<p>From No. 1,326,899 to No. 3,590,387 in consecutive numbering. For exceptions, see lists attached to Annex H.</p>	<p>Re-issued Patents from No. 14,785 to No. 27,151</p>		<p>Patents: 2,262,000</p> <p>Re-issued Patents: 12,000</p>	<p>/End of Annex A/</p>

INVENTORY OF NATIONAL PATENT DOCUMENTS TO BE  
INCLUDED IN THE MINIMUM DOCUMENTATION UNDER  
RULE 34 OF THE PCT REGULATIONS

FRANCE

Explanatory Note

Introduction

1. With respect to France, the examination of "national patent documents" as defined by Rule 34 of the Regulations under the Patent Cooperation Treaty (see also paragraphs 2 to 6 of document PCT/TCO/SS/I/2) has given the following results.
2. On January 1, 1969, the new French Patent Act, No. 68-1 of January 2, 1968, entered into force; consequently French patent documentation published during the period under consideration will be dealt with in two parts: the first part (Part A) will cover documents published up to the end of the period during which the Patent Act of July 5, 1844, was applicable, while the second part (Part B) will be concerned with documents published in accordance with the provisions of the new Patent Act.
3. At the present time, patents for which applications were filed prior to January 2, 1969, are still being issued and published in accordance with the provisions of the Patent Act of July 5, 1844. It should be noted that this category of patents is steadily diminishing in size and will disappear completely when all the files involved have been processed.
4. From a chronological point of view, therefore, it may be said that at present two parallel series of publications exist in France, namely:
  - (a) one series coming to an end: publications under the old patent law system;
  - (b) one series which began in 1969: publications under the new Patent Act.

NATIONAL PATENT DOCUMENTS TO BE INCLUDED IN THE PCT MINIMUM DOCUMENTATION

Part A

Patents and Patents of Addition

5. Documents published in accordance with the provisions of the Patent Act of July 5, 1844, which should be included in the PCT minimum documentation are the following:

I. Patents and Patents of Addition

6. The first patent published in January 1920 bears the number 498,201, and the highest number assigned to this series of documents as of July 1, 1971, is 1,604,050.

7. The first patent of addition published in January 1920 bears the number 20,951, and the highest number assigned to this series of documents as of July 1, 1971, is 95,850.

8. A special numbering system has therefore been introduced for each category (less than 2,000,000 for the first, less than 100,000 for the second); within categories the numbers are in continuous sequence.

II. Special Medical Patents

9. Pursuant to Article 20 of Decree No. 60-507 dated May 30, 1960, which entered into force on June 1, 1960, and Article 24 of the amended version of the Patent Act of 1844, the full texts of medical patents and of patents of addition to medical patents, which had to undergo a special technical examination procedure, were published separately.

10. These patents thus formed a group on their own, and the first documents of each type, issued under Nos. 1M and 1C.A.M. respectively, were published from February 1961 onwards; the highest numbers assigned as of July 1, 1971, were 8451M for medical patents and 350C.A.M. for patents of addition to medical patents.

11. It should be pointed out that medical patents for which applications were filed from January 2, 1969, onwards under the provisions of the Patent Act of January 2, 1968, and which are classified in Class A 61 k 9/00 to 27/00 of the International Patent Classification, are no longer published and numbered specially.

12. These documents are therefore included in the 2,000,000 series.

13. Consequently, the medical patents and patents of addition to medical patents considered here are those for which applications were filed between June 1, 1960, and December 31, 1968.

#### Part B

14. The law of January 2, 1968, for the promotion of inventive activity and the amendment of the patent system, which entered into force on January 2, 1969, introduced two kinds of industrial property right, designated as "patents" when issued with a documentary report for a period of twenty years and as "utility certificates" when issued without a documentary report for a period of six years; thus it established a new document--the utility certificate--which did not exist under the Patent Act of July 5, 1844; on the other hand it removed the "special medical patent" by incorporating medical inventions in the general patent system; it retains patents of addition, which may now be applied for and issued for any invention covered by either a principal patent or a utility certificate.

15. The Law of January 2, 1968, also introduces a new feature concerning publications, in that applications for industrial property documents are published at the end of a period of 18 months from the date on which they were filed or from the priority date if priority has been claimed; they may also be published at any time before the end of that period at the request of the applicant; this publication concerns mainly patent applications which are subject to the preparation of a documentary report; however, it may also apply to certain utility certificates for which the applications are made public before the end of the 18-month period at the applicant's request, or which cannot be issued within that period, even though they are not subject to the preparation of a documentary report; this occasionally happens with applications for utility certificates filed with the claim of a prior foreign filing of almost a year's standing. However, these exceptions would concern only a very small number of utility certificates.

16. It should be noted in this connection that, while very few utility certificates, applied for as such at the time of filing, will be subject to double publication, a fairly large

number will be published after having first been published as patent applications and then transformed into utility certificates, either at the express request of the applicants or automatically, when applicants having requested postponement for two years of the documentary report procedure fail to request the report at the end of that period. If the number of actual utility certificate applications filed is only in the region of 200 a year, the number of utility certificates resulting from transformation of patent applications could reach 15% of the total number of patent applications.

17. The necessity of providing for all these different situations led the National Institute of Industrial Property to introduce, for the application of the general provisions on publications of the Patent Act of January 2, 1968, the ten publications indicated below; they take the form of printed brochures, on paper of different colors for ease of distinction:

	INID code numbers
(i) Printed on green paper and designated as "First Publications of Invention"	
1. " <u>Patent Applications</u> "	13
2. " <u>Applications for Patents of Addition</u> "	13 and 61
3. " <u>Utility Certificate Applications</u> " (this publication concerns utility certificate applications which could not be issued within the 18-month period)	17
4. " <u>Applications for Certificates of Addition</u> " (this publication concerns applications for certificates of addition which could not be issued within the 18-month period)	17 and 61
(ii) Printed on white paper and designated as "Second Publications of Invention," after publication of the corresponding applications	

	INID code numbers
5. " <u>Patents</u> "	15
6. " <u>Patents of Addition</u> "	15 and 61
7. " <u>Utility Certificates</u> "	12
8. " <u>Certificates of Addition</u> "	12 and 61
(iii) Printed on white paper and designated as "First and Only Publications"	
9. " <u>Utility Certificates</u> " (this publication concerns utility certificates issued without prior publication of the corresponding applications)	18
10. " <u>Certificates of Addition</u> " (this publication concerns certificates of addition issued without prior publication of the corresponding applications).	18 and 61

18. This will be the situation as regards publications at the end of the transitional period which has been allowed for the gradual implementation of the Patent Act of January 2, 1968.

19. Throughout this period, which will last for several years yet and during which only parts of patent applications are subject to preparation of a documentary report (8% in 1969, 20% in 1970, 28% in 1971, 50% in 1972, etc.), the National Institute of Industrial Property is obliged to supplement the provisions mentioned earlier with transitional arrangements for publication.

20. These arrangements are dictated by the uselessness of making a double publication for patents and the patents of addition corresponding to them when applications for the latter are not the subject of principal classification in the technical sections of the International Patent Classification which require preparation of a documentary report; it should be possible for these patents and patents of addition--which are subject only to administrative examination, usually of short duration--to be issued before expiration of the 18-month period.

21. The National Institute of Industrial Property decided, therefore, to publish as "First and Only Publications of the Invention" all patents and patents of addition which are issued without a documentary report; to do this it had to introduce two more publications as a temporary measure, thus bringing to 12 the total number of publications currently made under the Patent Act of January 2, 1968.

22. These two publications, which are strictly temporary in character, come into group (iii) above, which is thus amplified as follows:

- |                                                                                                                                             |           |
|---------------------------------------------------------------------------------------------------------------------------------------------|-----------|
| 11. " <u>Patents</u> "                                                                                                                      | 16        |
| 12. " <u>Patents of Addition</u> "<br>(this publication concerns patents of addition based on patents issued without a documentary report). | 16 and 61 |

23. There are, however, an appreciable number of patents which, while not subject to the documentary report procedure, could not be published within the 18-month period in the form of "first and only publications," and so underwent double publication: publication of the applications at the end of the 18-month period ("First Publications of Invention"), and subsequent publication of the patents as issued ("Second Publications of Invention") after expiration of the 18-month period, when administrative examination of the file was completed.

24. Applications ("First Publications of Invention") and patents or certificates issued without a documentary report ("First and Only Publications") are published and made available to the public in the same number-sequence beginning at 2,000,001; these numbers, which are entered on the documents at the time of their publication, are listing numbers designed to make it possible to build up collections in continuous sequence, without gaps, of all descriptions of inventions in respect of which patent applications are filed in France; these collections would thus be readily available to the public for consultation; they should be used only for the classification of documents for research purposes and for the purchase of specifications and the ordering of reproductions; the publication number in the 2,000,000 series should not be confused with the number of the actual patent or certificate issued, which consists of the last two figures of the year followed by the registration

number of the application within that year (69,00001 - 70,00001 - 71,00001, etc.); this number is assigned to the application as soon as it is filed and is the only official number of the patent or certificate granted; it should be used for all correspondence with the National Institute of Industrial Property, orders of official copies, payment of fees, etc.

25. The publication number of the application is mentioned on the patent or certificate issued in order to make searching by publication numbers possible among second publications; the latter are somewhat difficult to consult during searches in that they cannot be presented in continuous sequence like the first and the first and only publications; indeed second publications, which are more complete than first and first and only publications since they contain the documentary report--and occasionally different, when the applicants have had the opportunity to alter their claims during the technical examination procedure--are published only at the end of the procedure, which lasts for a varying length of time according to individual cases; consequently the classification of second publications in continuous sequence can involve long periods of time, when patents for which the applications have undergone a protracted examination and have therefore delayed publication are finally published and may be put in their proper place among other patents which have been examined and published more rapidly.

26. In connection with this inventory only publication numbers should be taken into consideration.

Number of Documents to be Included in the PCT Minimum Documentation

27. The number of documents has been calculated for each group of publications (see Annex 1).

28. Under Rule 34.1(d) the prospective authorities may decide whether to retain all documents published since January 1, 1920, even those published several times in the course of the procedure (for instance documents published first as applications and then as patents) or to limit minimum documentation to one of these publications.

29. If all documents are to be included in the minimum documentation, the total number of French national patent documents amounts to 1,257,418 or, in rounded figures, 1,257,500.

=====

30. If minimum documentation is to include only first publications, the total number of documents amounts to 1,252,413 or, in rounded figures, 1,252,500.

=====

31. The number of documents prior to 1946 to be included in the minimum documentation is 439,350.

=====

INVENTORY OF PATENT DOCUMENTATION TO BE INCLUDED IN THE PCT MINIMUM DOCUMENTATION

Country: FRANCE

Period	Part A	Part B
January 1, 1920	Patents and B.S.M. 498,201	
February 20, 1961	. . . . . IM 20,951	
June 27, 1969	. . . . . C.A.M. ditto ditto 1 C.A.M.	
July 1, 1971	1,604,050 NUMBERS IN CONTINUOUS SEQUENCE 8,451 M ditto 95,85 350 C.A.M. ditto	<p style="writing-mode: vertical-rl; transform: rotate(180deg);">documents published in the 2,000,000 series, i.e.: 2,000,000 to</p> <p><u>PATENTS</u></p> <ul style="list-style-type: none"> <li>- Application,</li> <li>- 1st and only publication,</li> <li>- 2nd publication.</li> </ul> <hr/> <p><u>PATENTS OF ADDITION</u></p> <ul style="list-style-type: none"> <li>- Application,</li> <li>- 1st and only publication,</li> <li>- 2nd publication.</li> </ul> <hr/> <p><u>UTILITY CERTIFICATES</u></p> <ul style="list-style-type: none"> <li>- Application,</li> <li>- 1st and only publication,</li> <li>- 2nd publication.</li> </ul> <hr/> <p><u>CERTIFICATES OF ADDITION TO UTILITY CERTIFICATES</u></p> <ul style="list-style-type: none"> <li>- Application,</li> <li>- 1st and only publication,</li> <li>- 2nd publication.</li> </ul> <hr/> <p>NUMBERS IN CONTINUOUS SEQUENCE</p> <p>2,062,862</p>

PCT/TCO/SS/I/2  
Annex 1 to Annex B

CALCULATION OF THE NUMBER OF DOCUMENTS TO BE INCLUDED IN THE  
PCT MINIMUM DOCUMENTATION (POSITION AS OF JULY 1, 1971)

1. Under the old Patent Act, 1,105,850 patents, 8,451 special medical patents (B.S.M.), 350 patents of addition to medical patents (C.A.M.), and 74,900 patents of addition have been issued since January 1, 1920.

2. Under the new Patent Act the total number of publications of various types issued since June 27, 1969 (the date on which application No. 2,000,001 was made available to the public) is 62,862, 5,005 of which were published a second time as patents or utility certificates.

3. If all documents are to be included in the minimum documentation, their total number is 1,257,418 or, in rounded figures, 1,257,500.  
=====

4. If the minimum documentation is to include only first publications, the total number of documents is 1,252,413 or, in rounded figures, 1,252,500.  
=====

5. Since the first patent and the first patent of addition published in 1946 bore the numbers 905,101 and 53,401 respectively, the total number of documents prior to 1946 to be included in the PCT minimum documentation is 439,350.  
=====

/End of Annex B/

INVENTORY OF NATIONAL PATENT DOCUMENTS TO BE  
INCLUDED IN THE MINIMUM DOCUMENTATION UNDER  
RULE 34 OF THE PCT REGULATIONS

GERMAN REICHSPATENTAMT AND GERMANY (FEDERAL REPUBLIC)

Explanatory Note

Introduction

1. As far as Germany (Federal Republic) is concerned, the study of the "national patent documents" which, under Rule 34 of the PCT Regulations, may be expected to be included in the minimum documentation (see also paragraphs 2 to 6 of document PCT/TCO/SS/I/2) has shown the following results.

2. Due to various changes in the German patent system, the period under study, as mentioned in paragraphs 2 and 8 of document PCT/TCO/SS/I/2, was subdivided in four main sub-periods, viz the periods:

(i) from January 1, 1920 till December 31, 1956,

(ii) from January 1, 1957 till September 30, 1968,

(iii) from October 1, 1968 till December 31, 1968  
and

(iv) from January 1, 1969 till present (July 1, 1971).

3. Since in most of these four periods the types of patent documents to be included in the PCT minimum documentation are different, each of the periods shall be discussed separately.

National Patent Documents to be included in the PCT Minimum Documentation

Period (i): January 1, 1920 to December 31, 1956

4. Patents. During this period, the main group of patent documents to be included in the PCT minimum documentation is that of patents, issued since January 1, 1920.

5. The numbering system for this group is, in principle, an uninterrupted system with the following exceptions:

- (i) the first patents published since January 1, 1920 were not yet in a regular numerical sequence,
- (ii) some groups of patents in the number series 700,000 - show considerable gaps in the numerical sequence, e.g., the numbers 750,000 to 766,999 have been printed only if the patent was maintained; this approximately 2,000 specifications are missing,
- (iii) there will remain a gap between the last number of patents in the 700,000 - series and patent number 800,001, because it is not to be expected that many more numbers in the 700,000 - series will follow after No. 768,161.

6. Therefore, the inventory of the German national patent documents to be included in the PCT minimum documentation, starts with a relatively small group of patents with an irregular numerical sequence.

7. This group is shown in the Inventory in Part (A).

8. The lowest number found in this group is No. 280,717 and since, from No. 317,999 onwards, the patents are published in a much more regular way, this number was considered to be the last of this group.

9. In Part (B) are shown the patent series published in a much more regular numerical sequence, namely in subgroup (i) those starting with number 318,000 till number 768,161 (patents based on applications filed before May 8, 1945), and in subgroup (ii) those based on applications filed as from Oct. 1, 1948 onwards starting with number 800,001 the last number in this group is 980,132.

10. Applications. During the period January 1, 1920 to August 31, 1955, applications were only laid open for public inspection and should, therefore, according to Rule 34.1(f) not be considered published applications to be included in the PCT minimum documentation.

11. This situation changed in 1955 in consequence of a decision of the President of the German Patent Office of July 22, 1955 in accordance with which printed copies were made available of examined applications on the day on which they were laid open for public inspection.

12. The first number of this group of published examined applications is No. B.22624.VI b/IC and the last number of this group is No. M 29450 III/89b.

Period (ii): January 1, 1957 to September 30, 1968

13. In consequence of a decision of the President of the German Patent Office of October 19, 1956 regarding the uniform numbering of applications and patents, all examined applications published after January 1, 1957 received numbers in a numerical sequence starting with No. 1,000,001.

14. If such applications matured into a patent, this patent was given the same number as the application had received already.

15. The number series of the applications published after January 1, 1957, is therefore without interruption.

16. The number series of the patents based on these applications however, show many gaps, this due to withdrawal of the application by the applicant or because of rejection of the application by the Office or because opposition by third parties.

17. The number given to the first application in this series is No. 1,000,001 and the last number given as per July 1, 1971 is No. 1,303,280.

18. The number of the first patent, based on the first application of this series, is No. 1,000,001 and the last number given as per July 1, 1971 is No. 1,302,895.

Period (iii): October 1, 1968 to December 31, 1968

19. In consequence of the entering into force on October 1, 1968 of the new German Patent Act of January 2, 1968, a new system of publication of patent documents was introduced.

20. This Act introduced the deferred examination system in order to cope with the increasing number of applications, as to the publication of which, on September 30, 1968, no decision had been taken (backlog).

21. These publications of the non-examined applications are the so-called Offenlegungsschriften (yellow documents).

22. In case an examination was requested, the same application will now be republished upon examination.

23. The publications of the examined applications are the so-called Auslegeschriften (green documents).

24. Finally, if these applications mature into patents, the same invention is published again - now as a patent.

25. On the patents, once granted it is indicated whether or not the text is identical with the previous publication of the invention in the form of an examined application (Auslegeschrift). This indication is not printed on the Examined Applications (Auslegeschriften) in respect of the identity of text of this document with that of the first publication of the invention in the form of a non-examined application (Offenlegungsschrift).

26. For the three types of publications based on backlog applications, the number series 1,400,001 to 1,800,000 has been reserved.

27. The number series of the first group of publications of the inventions in the form of Offenlegungsschriften, is not in numerical sequence, because of withdrawals of applications prior to publication or because of the results of the examination as to obvious defects. Consequently a number of applications is not published in the form of Offenlegungsschriften.

28. Due to withdrawal, rejection or opposition, also the number series of the publications of the inventions in the form of Auslegeschriften and patents show considerable gaps.

29. Simultaneously, a new numbering system was introduced for the publications of applications received during the period October 1, 1968 to January 1, 1969.

30. Also these applications are being published according to the same system as the ones belonging to the backlog discussed in paragraphs 21 / 29 of this Note, viz in the form of Offenlegungsschriften, Auslegeschriften or patents.

31. For this group of publications, the number series 1,800,001 to 1,900,000 has been reserved.

32. In the publication series of the applications belonging to the backlog, the last numbers given as per Juli 1, 1971 are the following:

Offenlegungsschriften:	1,798,402
Auslegeschriften:	1,798,378
Patente:	1,798,323

33. In the publication series of the applications which were received during the period October 1, 1968 to January 1, 1969, the last numbers given as per July 1, 1971, are the following:

Offenlegungsschriften:	1,817,794
Auslegeschriften:	1,817,732
Patente:	1,817,680

Period (iv): January 1, 1969 to present (July 1, 1971)

34. The same system of publication of inventions, viz in the form of Offenlegungsschriften, Auslegeschriften and patents is followed for all applications received since January 1, 1969.

35. For each year, a number group of 100,000 numbers has been reserved, viz the group of 1,900,001 to 2,000,000 for 1969, that of 2,000,001 to 2,100,000 for 1970, that of 2,100,001 to 2,200,000 for 1971, etc.

36. Also in these series, later publications of the same invention receive the same number as the first one has received.

37. The number series of the three different types of publications is not in numerical sequence, due to reasons mentioned in paragraphs 17, 28 and 29 of this Note.

38. The last numbers given in these groups of publications were, as per July 1, 1971:

1969: Offenlegungsschriften: 1,966,106

Auslegeschriften: 1,965,851

Patente: 1,965,633

1970: Offenlegungsschriften: 2,064,862

Auslegeschriften: 2,057,605

Patente: 2,012,862

1971: No publications before July 1, 1971

Number of Documents to be included in the PCT Minimum Documentation

39. The total number of documents to be included in the PCT minimum documentation has been calculated separately (see Annex No. 1 to this Note).

40. According to the provision of Rule 34.1(d), the prospective International Searching Authorities may choose whether they wish to keep all documents ever published since January 1, 1920 even in as far as they constitute republications pertaining to the same application in the course of the procedure (e.g., first published as an application (once or twice) and later as a patent), or whether they want to limit the minimum documentation to only one type of these publications.

41. Since the first publication of an invention will frequently contain more disclosure than later publications, it seems advisable to use in such cases the first publication.

42. In case it is decided to keep all documents, the number of German national patent documents to be included in the PCT minimum documentation amounts to 1,483,624 . (See Annex No. 1 to this Note.)

43. In case it is decided to limit this part of the minimum documentation to the first publications of the German national patent documents only, this number amounts to 1,176,121. (See Annex No. 1 to this Note.)

44. The number of patents based on applications filed before May 8, 1945 to be included in the PCT minimum documentation has been calculated and amounts to 450,661 documents. (See Annex No. 1 to this Note.)

INVENTORY OF GERMAN PATENT DOCUMENTATION TO BE INCLUDED IN THE PCT MINIMUM DOCUMENTATION  
GERMAN REICHSPATENTAMT AND GERMANY (FEDERAL REPUBLIC)

Period	Published applications		Patents and Patents of Addition
	Non-examined applications (Offenlegungsschriften)	Examined applications (Auslegeschriften)	
Jan. 1, 1920			<p><u>Group A:</u> Not in numerical sequence. Lowest number: 280.717. Last number: 317.999.</p> <p><u>Group B:</u> Series in numerical sequence. Subgroup (i) First number: 318.000. Last number: 768.161. This the last number of patents based on application filed before May 8, 1945. Subgroup (ii) Patents based on applications filed as from Oct. 1, 1948 onwards. First number: 800.001, last number given in this series 980.132.</p>
Sept. 1, 1955		<p>From Sept. 1, 1955 to Jan. 1, 1957 First number: B 22624 VIb/IC Last number: M 29450 III/89b</p>	
Jan. 1. 1957		<p>Series 1.000.001 - 1.399.999 for applications with regard to the publications of which a decision was taken before Oct. 1, 1968. Last number given: 1.303.280. (numerical sequence, no gaps)</p>	<p>Series 1.000.001 - 1.399.999 for patents based on same Auslegeschriften. Last number given: 1.302.895. (not in numerical sequence)</p>
Oct. 1, 1968	<p>a) Backlog series 1.400.001 - 1.799.999 last number: 1.798.402</p> <p>b) Applications received since Oct. 1, 1968 series 1.800.001 - 1.899.999 Last number: 1.817.794 not in numerical sequence</p>	<p>a) Backlog series 1.400.001 - 1.799.999 last number: 1.798.378</p> <p>b) Similarly, series 1.800.001 - 1.899.999  Last number: 1.817.732 not in numerical sequence</p>	<p>a) Backlog series 1.400.001 - 1.799.999 last number: 1.798.323</p> <p>b) Similarly, series 1.800.001 - 1.899.999  Last number: 1.817.680 not in numerical sequence</p>
Jan. 1, 1969	1.900.001 - 1.966.106 not in numerical sequence	1.900.001 - 1.965.851 not in numerical sequence	1.900.001 - 1.965.633 not in numerical sequence
Jan. 1, 1970	2.000.001 - 2.064.862 not in numerical sequence	2.000.001 - 2.057.605 not in numerical sequence	2.000.001 - 2.012.862 not in numerical sequence
Jan. 1, 1971	2.100.001 - no publication of any of the documents in this number-series has taken place before July 1, 1971	2.100.001 -	2.100.001 -

CALCULATION OF THE NUMBER OF DOCUMENTS TO BE  
INCLUDED IN THE PCT MINIMUM DOCUMENTATION

Patents and Patents of Addition.

1. The group of patents and patents of addition to be included in the PCT minimum documentation is shown in the third column of the Inventory of the German "national patent documents".

2. The total numbers of documents included in the various subgroups in which this group of documents can be divided, are as follows:

- (i) group A: 2,500
- (ii) group B, subgroup (i): 448,161  
subgroup (ii): 180,132
- (iii) group of patents and patents of addition published in the 1,000,000 number-series and in the following number-series, as from No. 1,000,001 onwards up till July 1, 1971:  
254,631.

3. The total number of patents and patents of addition published since Jan. 1, 1920, up till July 1, 1971, therefore amounts to:  
885,424.

Published examined applications (Auslegeschriften)

4. The group of published examined applications (Auslegeschriften) to be included in the PCT minimum documentation is shown in the second column of the Inventory of the German "national patent documents".

5. The total numbers of documents included in the various sub-groups in which this group of documents can be divided, are as follows:

(i) period Sept. 1, 1955 - Jan. 1, 1957: 34,803

(ii) group of examined applications (Auslegeschriften) published in the 1,000,000 - number-series and in the following number-series, up till July 1, 1971:  
326,020

6. The total number of examined applications (Auslegeschriften) published since Sept. 1, 1955 up till July 1, 1971, amounts to:  
360,823.

Published non-examined applications (Offenlegungsschriften)

7. The group of published non-examined applications (Offenlegungsschriften) is shown in the first column of the Inventory of German "national patent documents".

8. The total number of this type of applications published since Oct. 1, 1968 up till July 1, 1971, amounts to 237,377.

9. In case all German "national patent documents" are to be included in the PCT minimum documentation, i.e. not only the first publications but also the second and the third publications of the inventions, the total number of documents amounts to 1,483,624.

10. In case the prospective International Searching Authorities should decide that - as far as the inventions are concerned, which are published in the form of non-examined applications (Offenlegungsschriften), examined applications (Auslegeschriften) and patents, - only the first publications should be included in the PCT minimum documentation, then according to the calculation shown in paragraph 11 the total number of documents involved, amounts, to 1,176,121.

Calculation of the total number of first publications

11. The numbers of documents in the various groups involved are as follows:

- (i) Patents, Group A: 2,500
- (ii) Patents, Group B,  
subgroup (i) : 448,161
- (iii) Patents, Group B,  
subgroup (ii): 150,000

Here, appr. 30,000 documents have to be deducted from the total number of documents in this group, (180,132) these being the second publication of the inventions, published earlier in the form of examined applications during the period Sept. 1, 1955 - Jan. 1, 1957.

- (iv) examined applications published during the period Sept. 1, 1955 - Jan. 1, 1957: 34,803.
- (v) examined applications (Auslegeschriften) in the 1,000,000 - number-series, and in the following number-series up till July 1, 1971: 303,280.
- (vi) non-examined applications (Offenlegungsschriften) published as from Oct. 1, 1968 onward - up till July 1, 1971: 237,377.

12. The group of patents, based on applications filed before May 8, 1945, to be included in the PCT minimum documentation is composed as follows: Patents Group A: 2,500, and Patents Group B, subgroup (i): 448,161 in total: 450,661.

/End of Annex C/

PCT/TCO/SS/I/2

Annex D

INVENTORY OF NATIONAL PATENT DOCUMENTS TO BE  
INCLUDED IN THE MINIMUM DOCUMENTATION UNDER  
RULE 34 OF THE PCT REGULATIONS

JAPAN

Explanatory Note

Introduction

1. As far as Japan is concerned, the study of the "national patent documents" which, under Rule 34 of the PCT Regulations, may be expected to be included in the minimum documentation (see also paragraphs 2 to 6 of document PCT/TCO/SS/I/2) has shown the following results.
2. During the period January 1, 1920 to July 1, 1971, the following patent documents were published by Japan:

(i) Patent specifications ("Tokkyo Meisaisho"):

<u>Year</u>	<u>Patent Number</u>	<u>Year</u>	<u>Patent Number</u>
1920	35,166 - 36,585	1939	127,581 - 133,215
1921	36,586 - 38,975	1940	133,216 - 139,160
1922	38,976 - 44,070	1941	139,161 - 146,610
1923	44,071 - 50,990	1942	146,611 - 153,760
1924	50,991 - 61,500	1943	153,761 - 160,360
1925	61,501 - 66,820	1944	160,361 - 167,410
1926	66,821 - 70,285	1945	167,411 - 168,760
1927	70,286 - 74,520	1946	168,761 - 173,800
1928	74,521 - 79,210	1947	173,801 - 174,800
1929	79,211 - 84,390	1948	174,801 - 175,150
1930	84,391 - 89,500	1949	175,151 - 178,350
1931	89,501 - 93,875	1950	178,351 - 181,600
1932	93,876 - 98,565	1951)	
1933	98,566 - 104,025	1952)	
1934	104,026 - 108,715	1953)	No publication
1935	108,716 - 113,510	1954)	
1936	113,511 - 118,480	1955)	
1937	118,481 - 123,030	1956	181,601 - 183,340
1938	123,031 - 127,580	1957	Publication discon- tinued

(ii) Examined patent applications ("Tokkyo Koho"):

<u>Year</u>	<u>Publication Number</u>	<u>Year</u>	<u>Publication Number</u>
1920	No publication	1940	1 - 7,540
1921	No publication	1941	1 - 7,500
1922	1 - 840	1942	1 - 6,300
1923	50,001 - 52,180	1943	1 - 5,900
1924	1 - 2,840	1944)	
1925	2,841 - 7,390	1945)	No publication
1926	7,391 - 11,310	1946)	
1927	1 - 5,215	1947	1 - 2,100
1928	1 - 5,145	1948	1 - 3,500
1929	1 - 5,320	1949	1 - 4,750
1930	1 - 5,180	1950	1 - 4,950
1931	1 - 4,900	1951	1 - 7,850
1932	1 - 5,705	1952	1 - 5,450
1933	1 - 5,460	1953	1 - 6,700
1934	1 - 4,970	1954	1 - 8,700
1935	1 - 5,460	1955	1 - 9,550
1936	1 - 4,970	1956	1 - 10,950
1937	1 - 5,005	1957	1 - 10,900
1938	1 - 5,495	1958	1 - 10,800
1939	1 - 6,580	1959	1 - 11,050

<u>Year</u>	<u>Publication Number</u>	<u>Year</u>	<u>Publication Number</u>
1960	1 - 18,750	1966	1 - 22,400
1961	1 - 24,250	1967	1 - 27,680
1962	1 - 19,000	1968	1 - 30,480
1963	1 - 26,950	1969	1 - 32,800
1964	1 - 30,380	1970	1 - 41,640
1965	1 - 29,240	1971	1 - 23,000
		(till July 1)	

3. It is to be noted that until 1921 there was no publication system as to examined patent applications. The first "Tokkyo Koho" was published in June 1922. Publication numbers of examined patent applications published in that year were Nos. 1 to 840. In 1923, a different numbering system was used starting with No. 50,001 and ending with No. 52,180. In the period January 1, 1924, to December 31, 1926, another different numbering system was used. According to that system, "Tokkyo Koho" numbers were independent of patent numbers, i.e., starting with No. 1 for the first publication in 1924 and ending with No. 11,310 for the last publication in 1926. Then, again, a new numbering system was introduced. From January 1, 1927, onwards up to the present day, the "Tokkyo Koho" numbers commence with No. 1 each year with the exception of the period from 1944 to 1946 when there was no publication at all.

4. The numbers of "Tokkyo Koho" published since 1924 are composed of the number of the year of publication expressed in the Japanese era and the serial number of publication, for example, sho-33-1326, where sho-33 is the 33rd year of the Japanese era, which corresponds to the year 1958 of the Christian era.

5. A simple way of converting Japanese dates to Christian dates, and vice versa, is to add the number of years of the Japanese era to 1925 which gives the date of the corresponding Christian era and to deduct 1925 from the number of years of the Christian era to obtain the date of the corresponding Japanese era.

6. During the period from 1920 to December 1949, the "Tokkyo Koho" publications contained only the name and other bibliographical data of the application, a summary of the invention and a description of the claims, whereas from January 1950 onwards to the present day, the "Tokkyo Koho" publications also contained the full text of the patent application.

7. Under the provisions of the newly enacted patent law which came into force on January 1, 1971, non-examined applications for patents are to be published ("Tokkyo Kokai Koho") after 18 months from the date of filing of the application or, if priority has been claimed, from the date of priority. Since the publication of the "Tokkyo Kokai Koho" started only in July 1971 and the last date of the period of this study is fixed at July 1, 1971, it is premature to discuss this item.

#### Coverage by English-language Abstracts

8. The Japanese Patent Office does not produce English language abstracts of its own issued patent documents. However, since January 1962, Derwent Information Service, London, and, since September 1967, Japan Patent Center, Inc., Tokyo, have been publishing Japanese patent abstracts in English in the form of a brochure covering certain fields of technology and called "Derwent Japanese Patent Report" and "JPC Patent Reports", respectively.

9. It is to be noted that under the Japanese patents publication system, the entire art (technology) is divided into the following seven divisions, the current content of which is reported in the Japanese Patent Gazette.

10. Division I relates to agriculture, fishing and food industries, and covers Classes 1 to 8 and Classes 32 to 38 of the Japanese Patent Classification.

11. Division II relates to mining, metallurgy and chemistry, and covers Classes 9 to 31 of the Japanese Patent Classification.

12. Division III relates to textiles and covers Classes 39 to 48 of the Japanese Patent Classification.

13. Division IV relates to motors, electric power, machine and mechanical industries, and atomic energy, and covers Classes 49 to 76 and Class 136 of the Japanese Patent Classification.

14. Division V relates to transportation, construction and hygiene, and covers Classes 77 to 95 of the Japanese Patent Classification.

15. Division VI relates to communication, photography and measurement, and covers Classes 96 to 113 of the Japanese Patent Classification.

16. Division VII relates to business machines, printing and daily necessities, and covers Classes 114 to 135 of the Japanese Patent Classification.

Derwent Japanese Patent Report

17. The first issue of the Derwent Japanese Patent Report was published on January 5, 1962, and since then that Report has issued weekly in the form of a brochure. The Report covers Japanese patent applications in chemical fields and atomic energy, i.e., essentially Division II and certain classes of other Divisions in so far as they relate to chemistry.

18. Up to now, the following volumes of the Derwent Japanese Patent Report have been published and each volume contains the following number of issues:

Volume 1:	from No. 1 to No. 48
Volume 2:	from No. 1 to No. 52
Volume 3:	" "
Volume 4:	" "
Volume 5:	" "
Volume 6:	from No. 1 to No. 51
Volume 7:	" "
Volume 8:	from No. 1 to No. 50
Volume R:	from No. 3 to No. 51
Volume S:	from No. 1

Volume R was published in 1970 and Volume S will be published during the course of 1971.

19. In Volume 1 of the said Report--the first year of publication--the abstracts were made only in respect of patent applications filed by Japanese nationals. In respect of patent applications filed by foreigners, the Report merely indicated the title of the invention in addition to the bibliographical data, even though the subject matter of the application related to chemistry or atomic energy. Starting with Volume 2, No. 1, this Report included all patents relating to the chemical and atomic energy fields regardless of the nationality of the applicant.

20. The statistical data show (according to the Japanese Patent Office Year Book, Volume 19 and Volume 21) that the total number of published Japanese patent applications since 1962 is approximately 283,650. Among these it is estimated that 40% of all published patent applications relate to the chemical field. This means that some 115,000 publications have already been abstracted and published by Derwent.

### JPC Patent Reports

21. The JPC Patent Reports have been issuing on all Japanese patent applications contained in Divisions IV and VI as published in and after September 1967, with one interruption which occurred during January and February 1968.
22. All published patent applications in so far as they belong to the said Divisions IV and VI are abstracted in English irrespective of either the nationality of the applicant or whether the application claims a priority and are published one or two weeks after the date of issuance of the Japanese Patent Gazette containing the patent applications to be abstracted.
23. Each abstract contains the full Japanese classification symbol, the International Patent Classification symbol down to sub-class level since November 1970, publication number, name of applicant, indication of subject matter of abstract, and one or more drawings, where necessary (see specimen at the end of this Note in Annex 1).
24. Recent statistical data show that from September 1967 until July 1, 1971, the Japanese Patent Office has published a total of 54,360 applications belonging to both Divisions IV and VI of the Japanese Patent Gazette "Tokkyo Koho". It is estimated that some 52,360 or 97% of such applications have been abstracted in English by the JPC Patent Reports.
25. The patent applications contained in Divisions I, III, V and VII as published in the Japanese Patent Gazette during July 1970 have also been abstracted in English and the abstracts issued under the same title "JPC Patent Reports". However, this series of the abstracting service was discontinued after one month.

### Other Abstracting Services

26. The abstracting of Japanese patents by other English language services such as Chemical Abstracts, an American firm, has been done on a selective basis and therefore does not seem to comply with the condition of the general availability of English abstracts in respect of a specific field of national patent documents within the meaning of Rule 34.1(e) of the PCT.

Number of Documents to be Included in the PCT Minimum Documentation

27. Consequently, the "national patent documents" of Japan to be included under Rule 34 in the PCT minimum documentation by the International Searching Authorities whose working languages are other than Japanese should comprise at least the documents in respect of which the English language abstracts have been published both in the Derwent Japanese Patent Report (Volumes 1 to 8 and also R and S), covering essentially Division II and certain classes of other Divisions in so far as they relate to chemistry as from 1962 onwards, and in the JPC Patent Reports, covering Divisions IV and VI of the Japanese Patent Gazette as from September 1967 onwards with the exception of documents published in the said Gazette during January and February of 1968. Without counting the different versions of publications relating to the same application or patent, the total number of documents to be included in the minimum documentation of the International Searching Authority whose official language is Japanese is estimated at 539,455, whereas the total number of documents to be included in the minimum documentation of the International Searching Authority whose official language is other than Japanese is estimated at 167,360.

INVENTORY OF PATENT DOCUMENTS TO BE INCLUDED  
IN THE PCT MINIMUM DOCUMENTATION  
COUNTRY: JAPAN

Period	TYPE OF DOCUMENT			
	<u>Published examined applications</u> (Tokkyo Koho). Full text (in early years sometimes claim only. At present time, always full text-first publication).		<u>Published patent specifications</u> (Tokkyo Meisaisho) after grant. (Second publication). Always full text.	
January 1, 1920	<u>Year</u>	<u>Publ. Number</u>	<u>Year</u>	<u>Publ. Number</u>
	1920	No publication	1947	1 - 2,100
	1921	No publication	1948	1 - 3,500
	1922	1 - 840	1949	1 - 4,750
	1923	50,001 - 52,180	1950	1 - 4,950
	1924	1 - 2,840	1951	1 - 7,850
	1925	2,841 - 7,390	1952	1 - 5,450
	1926	7,391 - 11,310	1953	1 - 6,700
	1927	1 - 5,215	1954	1 - 8,700
	1928	1 - 5,145	1955	1 - 9,550
	1929	1 - 5,320	1956	1 - 10,950
	1930	1 - 5,180	1957	1 - 10,900
	1931	1 - 4,900	1958	1 - 10,800
	1932	1 - 5,705	1959	1 - 11,050
	1933	1 - 5,460	1960	1 - 18,750
	1934	1 - 4,970	1961	1 - 24,250
	1935	1 - 5,460	1962	1 - 19,000
	1936	1 - 4,970	1963	1 - 26,950
	1937	1 - 5,005	1964	1 - 30,380
	1938	1 - 5,495	1965	1 - 29,240
	1939	1 - 6,580	1966	1 - 22,400
	1940	1 - 7,540	1967	1 - 27,680
	1941	1 - 7,500	1968	1 - 30,480
	1942	1 - 6,300	1969	1 - 32,800
	1943	1 - 5,900	1970	1 - 41,640
	1944)		1971	1 - 23,000
	1945)	No publication	(till July 1)	
	1946)			
				1920: No. 35,166
				1950: Past publication No. 181,600
				1951 - 1955: No publication
				1956: Nos. 181,601 - 183,340 thereafter publication discontinued

JAPAN PATENT CENTER, INC., is a publisher of Reports on Japanese patents covering all Industrial Groups I through VII except for II, and provide the following services:

1. Translation of Patents and scientific literatures at US\$4.00 per 100 English words.
2. Search for patents and other scientific information.

**Banks:**

MITSUBISHI BANK, Akihabara Branch, Soto Kanda, Chiyoda-ku  
KYOWA BANK, Akihabara Branch, Kanda, Izumicho, Chiyoda-ku  
Tokyo, Japan

**Explanation of heading of each patent:**

CLASS: Classification made by the Japanese Patent Office.  
Pub. No. 7641/70; Publication number of the patent application,

the number representing: No. 7641 of 1969(45th year of Showa).

Name: Applicant (Some of the applicants' names, inevitably, are phonetic transcriptions from Japanese.)

(U.S.A.): The name of the country in which the application was originally filed.

Conv: The application filed under Convention Priority.

CLASS: 49 E 9

Pub. No. 11321/70; Nov 1, 66; MITSUBISHI JUKO KK

**BOILER DEVICE WITHOUT SUPPORT** characterized in that plural pipe groups composing a combustion chamber are fixed by divers; back-stays extending vertically are mounted on the outer side of said divers; back-stays extending horizontally are mounted respectively on the top and the bottom of said combustion chamber, the ends of said both back-stays are coupled and platforms are mounted vertically on said back-stay.

CLASS: 50 B 0

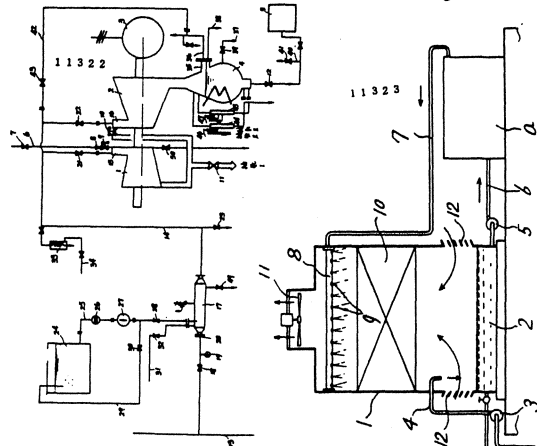
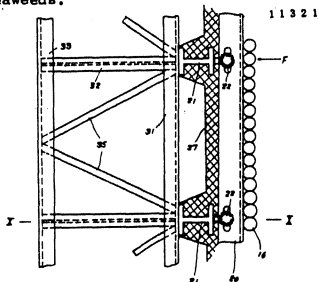
Pub. No. 11322/70; May 13, 66; FUJI DENKI SEIZO KK

**METHOD FOR WASHING STEAM TURBINE BLADE** characterized by taking out steam by the pressure reduction from steam pipes with the proper pressure, mixing said steam with alkaline solution in a steam cooling means for adjusting the temperature and the concentration of the alkaline, pouring said mixed washing steam into a turbine to remove the stain such as silica attached to the turbine blade, thereafter exhausting thereof through a an exhaust pipe provided on a manhole positioned above a condenser which is filled with water in order to protect the cooling pipe.

CLASS: 50 C 9

Pub. No. 11323/70; Nov 21, 66; TAKASAGO NETSUGAKU KOGYO KK

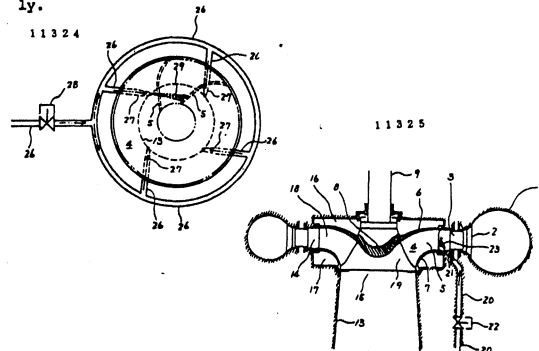
**CONDENSER DEVICE BY USE OF SEA WATER** characterized in that sea water is used as cooling water and is cooled through a cooling tower having a heat exchanging means inside thereof, said water is introduced into a cooled member and is heat-exchanged and thereafter returned and circulated to the cooling tower again, while the consumption of the sea water by the evaporation and the diffusion thereof is complemented by the supply of the sea water so that the concentration of salt in said cooling and circulating sea water is maintained at such concentration to prevent the growth of marine products such as seaweeds.



CLASS: 52 B 2

Pub. No. 11324/70; Dec 28, 65; HITACHI SEISAKUSHO KK

**OPERATING METHOD FOR PUMPING-UP POWER PLANT WITH REVERSIBLE PUMP WATER WHEEL** characterized by providing two sets of the pressure medium introducing means onto the stationary portion or the moving portions of the circumference of a rotator including a runner of said device and operating to change from the generating operation to the pumping operation, from the pumping operation to the generating continuously; in the case from the generating operation to the pumping operation, introducing the pressure medium from one of said pressure medium introducing means to said rotator in the direction from the braking operation to the starting operation for the pump at the starting time point of the interruption of the water in-flow to the runner of said reversible pump water wheel or after the starting time point of the interruption, paralleling a generating motor with a power system in order to start the pumping operation, thereafter interrupting said introduced pressure medium, and thus conducting the change-over from the generating operation to the pumping operation; in the case from the pumping operation to the generating operation, introducing the pressure medium from one of said pressure medium introducing means to said rotator to rotate the pump at the starting time point of the interruption of the delivery pressure water of said reversible pump water wheel or after the starting time point of the interruption, interrupting said pressure medium at the same time with the opening of the power system of the generating motor, introducing the pressure medium from the other of said pressure medium introducing means to said rotator so as to brake the pump after the opening, and interrupting said pressure medium at the same time with the stoppage of the rotation to operate the pump; thus changing the operations from the pumping operation to the generating operation so as to conduct the change-over of said two operations continuously.



JAPAN PATENT CENTER, INC.  
4th Floor, Seibu Bldg.  
No. 17, Kanda Matsunaga-Cho,  
Chiyoda-ku, Tokyo, Japan  
Tel: 255-7781  
Cable: "JAPPATENTCENTER TOKYO"

**Japan Patent Center, Inc.**

MAIL ADDRESS:  
SHITAYA POST OFFICE, BOX 72.  
TOKYO, JAPAN

Editor & Publisher  
Richard A. Sakai

Assistant Editor  
Yoshinobu Mizushima

© 1970: Founded: September 1967

**JPC** (PATENT) Group 6 ( 10961 - 11000 ) PUBLICATION DATE: April 20, 1970 JPC-6G-'70-4-1- (14) Page 67

CLASS: 98 A 8  
Pub.No. 10964/70; May 24, 67; NHK

JAPAN PATENT CENTER, INC., is a publisher of Reports on Japanese patents covering all Industrial Groups I through VII except for II, and provide the following services:

1. Translation of Patents and scientific literatures at US\$4.00 per 100 English words.
2. Search for patents and other scientific information.

Banks:

MITSUBISHI BANK, Akihabara Branch, Soto Kanda, Chiyoda-ku  
KYOWA BANK, Akihabara Branch, Kanda, Izumicho, Chiyoda-ku  
Tokyo, Japan

Explanation of heading of each patent:

CLASS: Classification made by the Japanese Patent Office  
Pub. No. 7641/70; Publication number of the patent application,  
the number representing: No. 7641 of 1969(45th year of Showa).

Name: Applicant (Some of the applicants' names, inevitably, are phonetic transcriptions from Japanese.)  
(U.S.A.): The name of the country in which the application was originally filed.  
Conv: The application filed under Convention Priority.

CLASS: 98 A 4

Pub. No. 10961/70; Mar 10, 67; HITACHI KK

SIGNAL SEPARATOR characterized in that an input terminal of a low-pass filter having tertiary transmission function and an input terminal of a phase shifter having a primary transmission function are connected and identical input signals are applied to the connection, and an output signal which is obtained by adding the output signal of the phase shifter to the output signal of the low-pass filter differentially and the output signal of the low-pass filter are separately obtained.

CLASS: 98 A 4

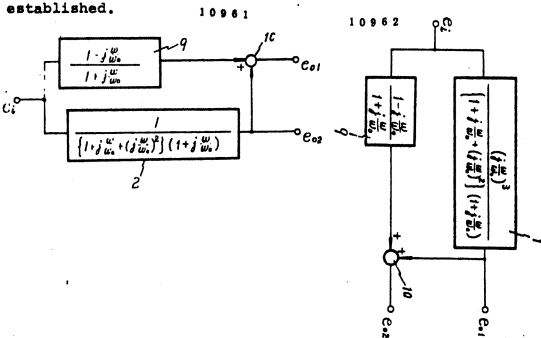
Pub. No. 10962/70; Mar 10, 67; HITACHI KK

SIGNAL SEPARATOR characterized in that an input terminal of a high-pass filter having tertiary transmission function and an input terminal of a phase shifter having a primary transmission function are connected and identical input signals are applied to the connection, and an output signal which is obtained by adding the output signal of the phase shifter to the output signal of the high-pass filter differentially and the output signal of the high-pass filter are separately obtained.

CLASS: 98 A 8

Pub. No. 10963/70; Apr 26, 67; NIPPON DENKI KK

MODE MAGNETIC DELAY LINE WITH TAP comprising a write mode converter, a delay line, and read mode converter characterized in that more than one read mode converter for tap is coupled to the middle of the delay line, and characteristic impedances  $Z_a$  and  $Z_b$  of the read mode converter for tap are arranged to be equal to the respective output voltage or S/N ratio for the reflection noise between taps is set more than a specified value, and having the characteristic impedances  $Z_a$  and  $Z_b$  of the mode converter which are represented by the following equation and the relative equation is established.



JAPAN PATENT CENTER, INC.  
4th Floor, Seibu Bldg.  
No. 17, Kanda Matsunaga-Cho,  
Chiyoda-ku, Tokyo, Japan  
Tel: 255-7781  
Cable: "JAPPATENTCENTER TOKYO"

**Japan Patent Center, Inc.**

MAIL ADDRESS:  
SHITAYA POST OFFICE, BOX 72.  
TOKYO, JAPAN

Editor & Publisher  
Richard A. Sakai

Assistant Editor  
Yoshinobu Mizushima

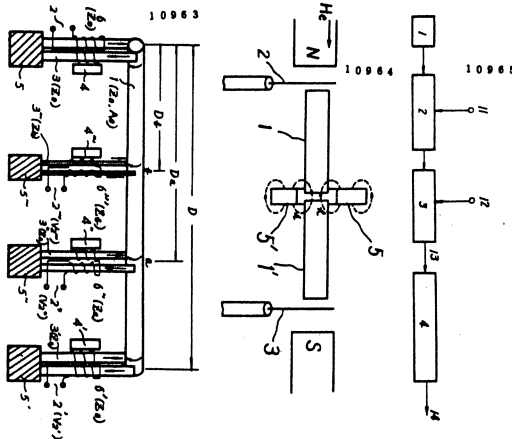
© 1970: Founded: September 1967

DELAY CIRCUIT employing ferromagnetic monocrystals characterized in that high frequency input/output circuits are provided at both end portions of a ferromagnetic monocrystal rod, and a DC magnetic field is applied in its axial direction, characterized in that a plurality of ferromagnetic monocrystal rods are disposed continuously and the DC magnetic field in the direction opposite to the DC magnetic field is applied to the junction gap portion and the wavelength of static magnetic wave in the gap portion is increased, and the static magnetic wave attenuated amount of the junction gap portion is reduced.

CLASS: 98 E 0

Pub. No. 10965/70; Nov 7, 66; NIPPON DENDEN KOSHA

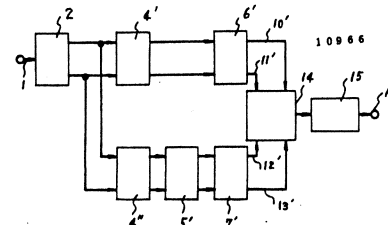
SIGNAL DETECTING SYSTEM in digital communication employing carrier characterized in that in case a subsignal from a carrier which is doubly modulated by a subsignal having a band of less than 1/2 of a main signal clock frequency and a main signal consisting of a digital code are detected, the detecting output or reception wave to be modulated are modulated with respect to the amplitude by the clock signal of the main signal, and unnecessary side band wave is removed with a low-pass filter having cut off frequency of less than 1/2 of whereby the interference from the main signal can be eliminated.



CLASS: 98 E 21

Pub. No. 10966/70; Nov 4, 66; NIPPON DENKI KK

SYSTEM FOR DEMODULATING FREQUENCY MODULATED WAVE characterized by converting a frequency modulated wave into a balanced signal through a balance type limiter, dividing the wave into two parts by leasing the balance signal as it is, leading one wave to a gate circuit through a balance type wide band amplifier, leading the other wave to said gate circuit by means of the balance type wide band amplifier, and balance type delay network, and obtaining a demodulated signal by means of a low-pass filter from the gate output signal.



INVENTORY OF NATIONAL PATENT DOCUMENTS TO BE  
INCLUDED IN THE MINIMUM DOCUMENTATION UNDER  
RULE 34 OF THE PCT REGULATIONS

SOVIET UNION

Explanatory Note

Introduction

1. As far as the Soviet Union is concerned, the study of the "national patent documents" which, under Rule 34 of the PCT Regulations, may be expected to be included in the minimum documentation (see also paragraphs 2 to 6 of document PCT/TCO/SS/I/2) has shown the following results.
2. The legislation of the Soviet Union does not provide for the publication of applications for patents or inventors' certificates.
3. There were no publications of granted patents or inventors' certificates during the period January 1, 1920, until September 15, 1924.
4. Since September 15, 1924, all issued patents, patents of addition, inventors' certificates and inventors' certificates of addition have been numbered consecutively, irrespective of the nature of the document, starting from No. 1. The last serial number of an issued document, as of July 1, 1971, is 308,696 (Official Bulletin No. 21 dated July 1, 1971).
5. Documents from No. 1 to No. 21,065 were issued as patents; however, a number of them were later exchanged by patentees for inventors' certificates having the same scope of protection, without republication of the specifications.

6. From No. 21,066 (July 31, 1931) onwards, documents have been issued in the form of both patents and inventors' certificates, the latter heavily outnumbering the former.

7. In accordance with national regulations, some of the issued documents are withheld from publication, their serial numbers being notified in the Official Bulletin "Otkritiia, izobreteniia, promishlenniie obraztsi, tovarnie znaki" (Discoveries, Inventions, Industrial Designs and Trademarks).

8. All documents presently published bear the full index numbers of the International Patent Classification and of the Universal Decimal Classification.

#### Coverage by English-language Abstracts

9. The Soviet Union itself does not produce English-language abstracts of issued documents. However, as from January 1, 1961, it sends copies of all published documents to Derwent Publications Limited, London, where they are systematically abstracted in English and published regularly in the form of brochures under the title of "Soviet Inventions Illustrated." The Derwent abstracts are also available in forms other than brochures.

10. The following numbers of Soviet documents were furnished to Derwent for abstracting between 1961 and July 1, 1971:

1961 -	5,237
1962 -	9,374
1963 -	5,441
1964 -	7,932
1965 -	9,627
1966 -	11,196
1967 -	13,829
1968 -	17,126
1969 -	19,720
1970 -	21,703
1971 -	<u>17,967</u>

Total: 139,152

=====

It is assumed that all of these documents are abstracted by Derwent and published in their publication "Soviet Inventions Illustrated."

11. The lowest serial number of an abstracted Soviet patent document published by Derwent is No. 134,675, dated February 6, 1961.

12. Since the abstracting of Soviet patents and inventors' certificates by other English-language abstracting services such as Chemical Abstracts Service (USA) and INSPEC (UK) is carried out on a selective basis and is therefore non-comprehensive, the starting point for the general availability of English-language abstracts on Soviet patent documents within the meaning of Rule 34.1(e) could be considered as the date of the commencement of the publication of Derwent's "Soviet Inventions Illustrated."

13. Consequently, the "national patent documents" of the Soviet Union to be included in the PCT minimum documentation under Rule 34 of the PCT Regulations by International Searching Authorities whose working languages are other than Russian should be those starting from serial No. 134,675 and ending, on July 1, 1971, with No. 308,696, subject to omission of the numbers of those documents whose publication is withheld, that is, approximately 139,000 documents.

=====

INVENTORY OF PATENT DOCUMENTS TO BE INCLUDED  
IN THE PCT MINIMUM DOCUMENTATION  
COUNTRY: SOVIET UNION

Period	TYPE OF DOCUMENT
	Published Patents and Inventors' Certificates
January 1, 1920	<p>No publication of such documents in the period January 1, 1920 - September 15, 1924.</p> <p>First number published as of September 15, 1924: No. 1</p> <p>(all documents numbered consecutively, irrespective of nature of document)</p>
July 1, 1971	<p>No. 308,696</p>

/End of Annex E/

INVENTORY OF NATIONAL PATENT DOCUMENTS TO BE  
INCLUDED IN THE MINIMUM DOCUMENTATION UNDER  
RULE 34 OF THE PCT REGULATIONS

SWITZERLAND

Explanatory Note

Introduction

1. As far as Switzerland is concerned, the study of the "national patent documents" which, under Rule 34 of the PCT Regulations, may be expected to be included in the minimum documentation (see also paragraphs 2 to 6 of document PCT/TCO/SS/I/2) has shown the following results.
2. During the period January 1, 1920, until the entry into force of the new Swiss Patent Act on January 1, 1956, patents were the only documents which, according to the provisions of Rule 34.1(c), should be included in the PCT minimum documentation.
3. The adoption of the new Patent Act of June 25, 1954, introduced a new element into the Swiss patent law system, namely, the examination of certain applications as to the novelty of the invention concerned.
4. According to the provision of Part IV of the Law, this examination has been introduced not for all applications but only for those in respect of:
  - (a) inventions relating to products obtained by the application of processes other than purely mechanical processes for the finishing of raw or manufactured textile fibres of all kinds, as well as to processes, in so far as those inventions are applicable to the textile industry, and
  - (b) inventions relating to the field of time measurement.

5. This new Patent Act entered into force on January 1, 1956, with the exception of Part IV, which entered into force on October 1, 1959.

6. As a result of the entry into force of the new Swiss Patent Act, a new type of national patent document, i.e., the published examined application, was introduced as from January 31, 1962. The period under consideration could consequently have been divided into two parts, one extending from January 1, 1920, until January 30, 1962, and the other from January 31, 1962, until July 1, 1971.

7. In view, however, of the relatively small number of examined applications published so far (the total number of applications amounts to 4,084), the period under consideration will be dealt with as a whole.

National Patent Documents to be Included in the PCT Minimum Documentation

8. Patents. After the grant of a patent, copies of the documents are printed, made available to the public, and distributed to other Patent Offices.

9. Announcements are regularly made in the Official Patent Journal, indicating the lists of patents thus previously published.

10. The first patents thus published since January 1, 1920, are not in regular numerical sequence. The lowest number discovered was No. 71,331 published on October 1, 1921.

11. It was found that the series having a more regular numbering system started with patent No. 83,752.

12. Since the numbers of those patents published between No. 71,331 and No. 83,752 are not in regular numerical sequence, the publications in the Swiss "Patentblatt" have been checked, in order to draft a complete list of this group of documents.

13. This groups is shown in Part (A) of the Inventory and the list is attached in Annex No. 1.

14. The series of patents published in more regular numerical sequence starting with No. 83,752 is shown in Part (B) of the Inventory. The number of the last patent in this series published before July 1, 1971, is No. 507,630.

15. In Switzerland, a certain number of patents have never been published, as a result of the provisions of Article 63 of the "Vollziehungsverordnung I" (Executive Order No. I) to the Patent Act of 1954.
16. The numbers of these patents are published in the "Jahres Katalog" and a list, brought up-to-date as of July 1, 1971 is attached as Annex No. 2.
17. These patents are excluded from the minimum documentation.
18. Further, there is a small group of numbers, 12 in all, which were originally allocated to certain patents but later withdrawn. For technical reasons, the numbers could not be allocated to other patents and this group of 12 numbers, listed in Annex 3, is to be deducted from the total number of patents in group B.
19. Applications. Since January 31, 1962, examined applications for patents in the field of textile and time-measuring instruments have been published.
20. The first application thus examined is No. 72 444/59 of October 1, 1959, published in the "Patentblatt" of January 31, 1962. This application later matured into patent No. 362,046.
21. In all, up to July 1, 1971, 4,084 of such applications have been published. (Because of a second publication of three of these applications, the total number of documents in this group amounts to 4,087.)
22. The Swiss Patent Office publishes each year in the "Jahreskatalog" a list of published examined applications, indicating whether they have matured into a patent or not and, if so, whether or not the patent is different from the application. If they have not matured into a patent, there is an indication whether it was because of refusal or withdrawal.
23. From the data available in June 1971, a complete list has been drafted of those applications which:
  - (a) have not matured into a patent because of withdrawal or because of refusal,
  - (b) have matured into patents with a text different from that of the application,
  - (c) are still pending.

24. This list is attached to the Inventory (see Annex No. 4). According to the data available as of July 1, 1971, there are 505 of such applications.

Italian-language Documents

25. According to Rule 34.1(c)(i), Swiss patents in the French and German languages only are to be included in the PCT minimum documentation. The number of published examined applications and patents issued in the Italian language must be deducted from the total number of documents published since January 1, 1920. The number of such documents in Italian is not exactly known but the Swiss Patent Office has estimated it at an average of 2½% of the total number of applications received.

26. It is, of course, possible to identify these documents. In view of the small number of documents involved and the considerable amount of work necessary to identify them, it was not considered useful to carry out such work at the present stage.

27. These documents could perhaps be eliminated by each of the prospective Authorities themselves when arranging their search files with respect to Swiss patent documents.

28. If, however, this is not considered a good solution, the International Bureau, with the assistance of the Swiss national Office, would try to find a better way to identify and eliminate these documents from the total number of Swiss documents to be included in the PCT minimum documentation.

Number of Documents to be Included in the PCT Minimum Documentation

29. In all, the following numbers of patent documents are involved:

Patents (Part (A)): irregular numbers):	619
(Part (B)): documents in regular numerical sequence):	<u>423,879</u> +
	424,498
Examined applications published:	<u>4,087</u> +
	428,585
Documents in Italian language (2½%):	<u>10,715</u> -
	417,870
Documents never published:	<u>773</u> -
	417,097
Numbers under which no patents were granted:	<u>12</u> -
	417,085
	=====

or, rounded off, 417,000 documents.  
=====

30. Of the 4,084 applications published as of July 1, 1971, 505 are still pending, have been refused or withdrawn, or have matured into patents with a text differing from that of the applications. A list of this group is attached (see Annex No. 4).

31. According to the provisions of Rule 34.1(d), the prospective Authorities may choose whether they wish to keep all documents published since January 1, 1920, even if they constitute republications pertaining to the same applications in the course of the procedure (e.g., first published as an application and later as a patent), or whether they wish to limit the minimum documentation to only the first of these publications.

32. The fact that most of the patents into which these applications eventually mature are identical with the applications originally filed may, as far as Swiss documentation is concerned, facilitate this choice.

33. Since the first publication of an invention will, in so far as it differs from any later publication, frequently contain more disclosure than later publications, it seems advisable to use in such cases the first publication.

34. If it is decided that all Swiss documents should be in the minimum documentation, approximately 417,085 documents are involved (see paragraph 29) or, rounded off, 417,000.  
=====

35. If it is decided not to keep the patents for which the published examined applications are already included in the minimum documentation, then approximately 413,500 documents are involved.  
=====

36. The first patent, issued in 1946, is No. 239,425 ("Jahreskatalog" 1945, page 5).

37. The total number of patents issued from January 1, 1920, until January 1, 1946, has been calculated in the same way as the total number of patent documents to be included in the PCT minimum documentation (see paragraph 31) and amounts to approximately 153,000.  
=====

INVENTORY OF PATENT DOCUMENTS TO BE INCLUDED  
 IN THE PCT MINIMUM DOCUMENTATION  
 COUNTRY: SWITZERLAND

Period	TYPE OF DOCUMENT	
January 1, 1920	<p><u>Patents</u> issued in French and German only.</p> <p>Part (A): a small group published since January 1920, with irregular number series. Lowest number 71,331; last number 83,751.</p> <p>Part (B): series with numbers in regular numerical sequence starting with No. 83,752.</p>	
January 31, 1962	<p><u>Published Examined Applications</u> for textile and horology patents, in French and German only. First number 45245/57</p>	
July 1, 1971	<p style="text-align: center;">↓</p> <p>4,477/70</p>	<p style="text-align: center;">↓</p> <p>507,630</p>

PCT/TCO/SS/I/2  
Annex 1 to Annex F

List of patents published in 1920 and 1921  
the numbering of which is not in regular  
numerical sequence

71,331	82,002	82,224	82,404
71,693	82,003	82,229	82,410
72,277	82,018	82,236	82,412
73,683	82,019	82,238	82,430
75,389	82,020	82,242	82,437
77,186	82,023	82,243	82,442
77,187	82,026	82,244	82,445
78,039	82,028	82,248	82,448
78,082	82,042	82,252	82,449
78,083	82,043	82,257	82,463
79,647	82,044	82,259	82,464
79,879	82,052	82,265	82,469
80,053	82,101	82,266	82,475
80,407	82,111	82,269	82,480
80,413	82,113	82,270	82,488
80,997	82,116	82,271	82,499
80,998	82,118	82,278	82,505
81,042	82,124	82,279	82,510
81,056	82,133	82,284	82,511
81,073	82,134	82,297	82,512
81,131	82,141	82,302	82,513
81,337	82,147	82,304	82,517
81,524	82,148	82,312	82,518
81,612	82,167	82,313	82,519
81,614	82,186	82,320	82,520
81,631	82,187	82,323	82,521
81,674	82,194	82,326	82,525
81,755	82,195	82,338	82,526
81,808	82,196	82,345	82,531
81,847	82,200	82,351	82,542
81,870	82,201	82,355	82,543
81,887	82,202	82,356	82,547
81,900	82,205	82,365	82,550
81,901	82,206	82,366	82,551
81,912	82,212	82,373	82,557
81,938	82,213	82,377	82,561
81,949	82,214	82,378	82,564
81,965	82,215	82,384	82,568
81,978	82,216	82,385	82,572
81,981	82,217	82,386	82,577
81,992	82,219	82,390	82,578
82,000	82,222	82,399	82,579

PCT/TCO/SS/I/2  
Annex 1 to Annex F, page 2

82,580	82,778	82,940	83,098
82,581	82,781	82,941	83,099
82,583	82,782	82,943	83,102
82,594	82,783	82,945	83,105
82,598	82,785	82,952	83,106
82,601	82,796	82,954	83,111
82,623	82,798	82,955	83,112
82,624	82,799	82,958	83,122
82,626	82,807	82,959	83,123
82,630	82,808	82,962	83,125
82,641	82,812	82,964	83,131
82,644	82,813	82,965	83,133
82,647	82,817	82,966	83,139
82,652	82,818	82,969	83,152
82,653	82,822	82,970	83,154
82,654	82,824	82,974	83,156
82,659	82,829	82,990	83,167
82,661	82,830	82,994	83,175
82,664	82,832	82,996	83,179
82,665	82,837	82,999	83,180
82,672	82,838	83,002	83,182
82,674	82,844	83,008	83,183
82,675	82,845	83,012	83,185
82,676	82,849	83,013	83,189
82,680	82,850	83,017	83,192
82,681	82,851	83,019	83,199
82,682	82,852	83,022	83,200
82,685	82,855	83,025	83,201
82,686	82,858	83,026	83,203
82,687	82,859	83,028	83,204
82,695	82,860	83,029	83,207
82,698	82,861	83,030	83,208
82,710	82,866	83,032	83,216
82,715	82,870	83,033	83,218
82,717	82,871	83,037	83,232
82,725	82,875	83,038	83,238
82,736	82,877	83,039	83,239
82,739	82,884	83,046	83,242
82,740	82,888	83,048	83,244
82,744	82,889	83,052	83,246
82,748	82,893	83,063	83,247
82,751	82,894	83,066	83,251
82,754	82,896	83,067	83,253
82,760	82,897	83,068	83,257
82,761	82,922	83,084	83,266
82,762	82,927	83,087	83,267
82,773	82,929	83,090	83,268
82,776	82,932	83,092	83,270

PCT/TCO/SS/I/2  
Annex 1 to Annex F, page 3

83,276	83,406	83,549
83,277	83,407	83,552
83,278	83,409	83,561
83,292	83,410	83,562
83,294	83,411	83,565
83,296	83,414	83,566
83,301	83,420	83,567
83,305	83,428	83,568
83,307	83,429	83,569
83,309	83,430	83,570
83,313	83,432	83,572
83,314	83,434	83,573
83,320	83,435	83,576
83,323	83,436	83,577
83,327	83,437	83,581
83,328	83,442	83,582
83,337	83,443	83,584
83,338	83,449	83,586
83,339	83,456	83,587
83,340	83,457	83,591
83,341	83,458	83,592
83,344	83,460	83,600
83,347	83,472	83,602
83,349	83,474	83,603
83,353	83,475	83,606
83,354	83,478	83,607
83,356	83,482	83,609
83,357	83,483	83,610
83,362	83,489	83,611
83,363	83,490	83,612
83,366	83,492	83,613
83,367	83,494	83,615
83,368	83,503	83,617
83,372	83,505	83,618
83,373	83,506	83,619
83,374	83,508	83,620
83,377	83,512	83,621
83,378	83,513	83,622
83,379	83,514	83,623
83,380	83,516	83,626
83,381	83,524	↓
83,386	83,525	↓
83,390	83,529	83,704
83,396	83,530	83,706
83,397	83,532	↓
83,398	83,543	↓
83,399	83,547	83,751
83,405	83,548	

PCT/TCO/SS/I/2  
Annex 2 to Annex F

List of patents never published  
(period January 1, 1920 - July 1, 1971)

83,045	92,558	105,248	116,291
83,158	93,875	105,627	116,368
83,221	93,876	105,670	116,546
83,269	93,877	105,671	116,844
83,534	93,878	105,954	116,873
83,758	94,101	106,025	117,266
83,802	94,121	106,180	117,516
83,876	94,953	106,215	117,567
84,025	95,240	106,280	117,589
84,049	95,445	106,903	117,590
84,339	95,822	106,951	117,709
84,650	96,560	107,020	118,040
84,971	96,786	107,203	118,102
85,023	97,212	108,295	118,355
85,526	97,980	108,378	118,536
85,781	98,031	108,854	118,581
85,786	98,360	109,369	118,588
85,948	98,644	109,454	118,881
86,123	98,724	110,824	119,009
86,183	98,798	111,290	119,029
86,489	99,017	111,306	119,545
87,427	99,082	111,375	119,738
87,570	99,083	111,527	119,828
88,005	99,299	111,850	119,867
88,593	99,543	111,878	120,064
88,889	100,275	112,079	120,283
88,970	100,704	112,080	120,303
89,132	100,726	112,221	120,777
89,242	101,184	112,286	121,547
89,489	101,206	112,409	121,594
89,560	101,440	112,420	121,843
89,804	101,441	112,828	121,878
91,133	101,819	112,861	122,357
91,143	102,034	112,934	123,008
91,181	102,303	113,268	123,355
91,182	102,493	113,567	124,806
91,183	102,588	114,027	124,807
91,185	103,219	114,364	126,353
91,192	103,332	114,718	126,400
91,729	103,627	114,898	126,568
92,005	103,680	115,002	126,934
92,124	104,556	115,137	126,940
92,381	104,617	115,330	127,355
92,434	104,671	115,396	127,400
92,445	104,829	115,532	127,596
	104,851		

PCT/TCO/SS/I/2  
Annex 2 to Annex F, page 2

127,730	151,109	169,944	184,676
127,861	152,157	170,158	184,948
128,784	152,224	170,233	185,086
128,848	152,351	170,366	185,323
129,141	152,600	170,789	185,369
129,355	154,339	171,223	185,370
130,239	154,828	171,367	186,191
131,596	156,177	171,706	186,330
133,448	156,412	171,870	186,380
134,617	157,265	172,557	186,694
134,824	157,671	174,225	186,877
134,994	158,244	174,853	186,961
135,201	158,628	174,948	187,440
135,264	159,106	175,109	187,487
135,790	159,376	175,224	187,657
135,916	159,976	175,276	187,698
136,097	160,841	175,324	187,727
136,614	161,360	175,923	188,015
136,751	161,946	176,640	188,599
137,303	162,090	176,715	188,839
137,369	162,699	176,943	189,089
138,741	163,021	176,993	189,438
139,041	163,923	177,082	189,537
139,054	163,970	177,644	190,083
139,120	164,521	178,857	190,401
139,148	164,550	178,902	190,474
139,553	165,256	179,053	190,501
141,288	165,810	179,077	190,592
142,219	166,517	179,209	190,773
143,097	166,844	179,315	191,017
143,718	166,871	179,559	191,034
143,851	167,662	179,795	191,381
144,101	167,796	179,821	191,880
144,281	167,814	179,848	191,937
144,579	167,820	180,259	192,208
145,240	168,195	180,380	192,457
146,393	168,671	180,547	192,554
147,157	168,711	180,638	192,563
147,509	168,950	181,499	192,867
147,828	169,028	181,874	192,886
148,386	169,042	181,912	193,021
148,929	169,227	181,945	193,025
149,758	169,301	181,968	193,161
149,831	169,715	182,390	193,274
150,050	169,853	182,498	193,714
150,069	169,854	183,131	194,050
150,073	169,942	184,295	194,182
150,227	196,943	184,348	194,185

PCT/TCO/SS/I/2  
Annex 2 to Annex F, page 3

194,245	208,136	224,421	243,134
195,033	208,137	224,617	243,695
195,283	208,338	224,687	244,192
195,457	208,741	225,096	245,083
195,620	208,756	225,393	245,100
196,947	208,764	225,428	245,142
197,554	209,127	225,474	246,297
197,748	210,261	226,408	246,497
197,795	210,854	228,383	247,009
197,886	211,760	228,436	247,043
198,534	211,930	228,998	247,388
198,755	212,656	229,072	247,826
199,243	213,534	229,230	249,858
199,382	213,785	230,503	250,597
199,611	214,372	230,617	250,696
199,944	214,760	230,782	251,301
200,071	214,872	232,354	251,302
200,091	214,924	232,481	251,326
200,215	215,714	232,883	251,435
200,685	217,006	233,181	251,623
200,766	217,303	233,595	252,113
200,819	217,940	233,902	252,622
201,048	217,941	233,903	252,781
201,080	217,942	234,058	253,584
201,724	218,000	234,096	253,980
201,890	218,068	234,176	254,140
201,982	218,304	234,203	254,207
202,121	218,607	235,248	254,400
202,292	219,087	236,083	254,606
202,293	219,491	236,366	254,622
202,533	219,563	236,465	254,745
203,445	219,740	237,143	254,879
204,278	219,774	238,315	254,979
204,327	220,158	238,856	255,002
204,465	220,562	239,163	255,007
204,590	220,890	239,171	255,392
204,827	221,019	239,223	255,665
205,051	221,105	239,282	255,685
205,216	221,362	240,083	255,884
205,228	221,586	241,918	256,158
205,673	221,755	242,140	256,292
206,297	221,795	242,513	256,342
206,547	222,676	242,544	256,792
207,093	223,795	242,607	257,075
207,949	223,909	242,636	257,217
208,099	224,409	242,956	257,806

PCT/TCO/SS/I/2  
Annex 2 to Annex F, page 4

258,242	290,214	344,352	402,782
258,458	290,484	346,690	404,209
258,748	290,902	347,617	405,185
258,869	291,716	350,510	406,061
259,477	291,884	351,924	406,819
259,745	297,541	353,836	406,852
259,823	299,421	353,933	409,776
259,929	300,426	354,658	410,377
260,045	300,864	355,155	410,557
260,106	301,237	355,617	411,676
260,403	301,515	355,781	413,498
260,759	302,477	357,340	413,647
261,452	302,912	360,002	414,075
265,216	302,947	361,466	414,398
266,064	303,174	362,163	416,364
266,658	303,693	365,197	416,629
266,900	304,085	366,998	417,529
267,725	304,408	368,390	418,886
269,139	305,065	371,244	419,842
270,216	306,731	371,861	420,879
270,557	307,485	372,227	421,146
272,236	309,307	372,778	421,970
272,363	309,624	374,128	423,413
272,518	310,768	375,354	424,225
272,637	311,995	375,718	424,942
273,024	312,135	378,766	425,248
274,074	313,728	379,529	425,334
275,152	315,179	381,036	425,667
275,967	319,921	381,167	427,838
278,535	321,612	382,456	429,794
279,839	323,620	383,680	430,303
282,391	324,361	383,756	431,907
283,577	329,303	383,870	432,507
284,391	330,793	384,310	434,489
284,614	331,087	389,135	434,582
285,182	331,286	390,074	434,619
285,618	333,862	390,077	434,847
285,698	335,238	391,329	436,220
286,012	335,812	391,473	437,920
286,204	336,165	391,666	440,024
286,894	337,481	392,058	444,998
287,238	338,346	393,132	446,239
288,045	339,123	394,394	447,279
288,097	340,440	394,575	448,302
288,784	342,433	395,507	448,471
290,180	343,690	401,401	449,954

450,889  
450,890  
450,979  
451,193  
454,398  
454,403  
455,676  
455,789  
457,649  
462,439  
465,787  
472,574  
475,251  
476,588  
478,758  
479,040  
480,335  
480,599  
481,101  
482,890  
482,946  
484,389  
485,430  
488,067  
494,867  
496,394  
497,848  
499,491

List of numbers under which  
no patents were granted

142,601

208,136

208,137

213,515

260,858

260,859

266,551

267,488

275,337

312,361

342,621

357,341

PCT/TCO/SS/I/2  
Annex 4 to Annex F

Complete list of applications for patents in the field of textile and horology, published after examination, according to Paragraph 99 of the Patent Law and Paragraph 55 of the Patent Regulations II which (A) have not matured into patents, (a) because of withdrawal and, (b) because of having been refused after opposition, (B) have a text different from the patent granted, and (C) are still pending.

Situation as of July 1, 1971.

A. Withdrawn or refused

1962	65,014/58	withdrawn
	68,346/59	withdrawn
	6,579/60	withdrawn
	13,824/60	refused
	6,582/60	refused
1963	4,378/61	withdrawn
	9,520/61	withdrawn
	3,913/60	refused
	8,616/61	withdrawn
	2,442/62	refused
	4,412/62	withdrawn
	1,871/61	refused
	6,390/60	withdrawn
	6,557/60	withdrawn
	12,010/61	withdrawn

PCT/TCO/SS/I/2  
Annex 4 to Annex F, page 2

1964	15,003/61	withdrawn
	67,491/58	withdrawn
	74,588/59	withdrawn
	4,260/60	refused
	12,980/60	withdrawn
	8,134/60	refused
	10,440/61	withdrawn
	10,812/61	refused
	1,395/62	withdrawn
	12,360/62	withdrawn
	11,725/62	refused
	610/63	withdrawn
	1,188/62	refused
	6,799/62	refused
	7,154/62	refused
	5,828/60	withdrawn
	14,013/60	withdrawn
	4,865/62	withdrawn
1965	2,862/63	refused
	8,560/63	withdrawn
	9,527/64	withdrawn
	2,271/60	refused
	7,005/61	withdrawn
	8,807/61	refused
	10,521/62	refused
	7,436/63	refused
	10,905/60	withdrawn
	4,637/62	refused
	10,560/60	withdrawn
	2,823/62	withdrawn

1966	11,571/64	withdrawn
	15,642/64	withdrawn
	15,644/64	withdrawn
	549/62	refused
	6,212/64	withdrawn
	14,389/64	refused
	10,856/62	refused
	9,714/63	refused
	3,916/64	withdrawn
	6,659/64	withdrawn
	7,293/64	refused
	8,850/64	refused
	15,954/64	withdrawn
	16,167/64	refused
1967	9,905/64	withdrawn
	1,462/65	withdrawn
	5,779/65	withdrawn
	7,351/65	withdrawn
	15,170/65	refused
	16,722/65	withdrawn
1968	15,804/65	withdrawn
	15,879/63	refused
	11,872/64	withdrawn
	13,513/64	refused
	12,779/65	refused
	14,803/65	withdrawn
	5,858/66	withdrawn
	6,053/66	refused
	9,431/66	refused
	13,410/66	withdrawn
	17,136/66	withdrawn
	17,140/66	withdrawn
	17,404/66	withdrawn

PCT/TCO/SS/I/2  
Annex 4 to Annex F, page 4

1969	3,649/67	withdrawn
	9,111/67	refused
	13,750/66	withdrawn
	15,409/67	withdrawn
1970	15,482/65	withdrawn
	1,890/66	withdrawn
	9,464/67	withdrawn
	16,926/67	withdrawn
	17,531/67	withdrawn
	18,048/67	refused
	9,299/68	withdrawn
1971	9,794/68	withdrawn

(30.6)

B. Applications which have matured into patents but  
of which the text has been changed.

	<u>Appl. No.</u>	<u>Patent No.</u>
1962	6,566/60	384,525
	9,506/60	381,194
	12,589/60	378,791
	11,542/60	368,464
	69,157/59	411,734
	2,307/61	428,080
	6,974/60	459,894
1963	4,232/61	373,624
	10,718/61	376,054
	9,428/61	384,530
	4,749/60	395,017
	7,370/60	404,604
	157/61	388,254
	12,608/61	389,568
	72,476/59	426,716
	12,403/61	410,849
	12,404/61	410,850
	2,226/62	412,786
	2,268/62	426,724
	5,312/62	412,787
	2,070/60	432,391
	6,564/60	428,576
	5,419/60	463,400
	10,885/61	450,295
	6,954/62	482,056
	14,895/61	498,240

PCT/TCO/SS/I/2  
Annex 4 to Annex F, page 6

	<u>Appln. No.</u>	<u>Patent No.</u>
1964	7,194/62	378,277
	14,667/62	406,129
	6,404/60	445,195
	11,823/60	433,183
	6,833/61	432,384
	1,835/63	433,122
	2,526/61	459,945
	11,682/61	451,396
	7,968/62	462,770
	11,114/62	459,895
	10,435/62	469,297
	1,188/62	497,725
	14,347/61	499,801
	7,636/62	501,257
1965	10,691/62	400,996
	1,883/64	411,773
	13,912/62	454,082
	5,231/63	455,653
	14,624/63	456,521
	13,487/62	497,727
	8,031/62	497,924
1966	13,480/64	423,634
	6,848/64	456,524
	9,312/64	454,795
	7,966/65	468,666
	4,574/64	497,733

PCT/TCO/SS/I/2  
Annex 4 to Annex F, page 7

	<u>Appln. No.</u>	<u>Patent No.</u>
1967	1,073/65	450,117
	17,361/65	477,574
	17,024/65	503,153
	14,944/65	499,812
	4,642/63	500,304
1968	15,213/64	467,000
	931/67	504,579
	13,423/62	500,532
1969	5,274/62	504,577
	5,275/62	504,578
1970	576/69	508,752

C. Applications still pending

1962	none	1968	12,643/63
			15,722/63
1963	79,413/59		8,332/64
	5,274/62		10,166/64
			11,204/64
1964	13,272/62		13,191/64
	2,244/63		15,336/64
			3,775/65
1965	11,200/60		8,812/65
	5,275/62		9,369/65
	5,816/63		17,241/65
	7,901/63		521/66
	14,906/63		1,909/66
			2,348/66
1966	1,722/63		2,675/66
	12,761/63		5,990/66
	2,639/64		6,761/66
	6,381/64		9,839/66
	2,046/65		10,660/66
	4,738/65		14,637/66
			41/67
1967	1,355/64		
	9,646/64	1969	5,865/60
	15,625/64		12,678/65
	2,535/65		826/66
	3,702/65		3,134/66
	6,066/65		3,725/66
	7,184/65		5,849/66
	11,998/65		6,422/66
	315/66		6,762/66

PCT/TCQ/SS/I/2  
Annex 4 to Annex F, page 9

1969 cont.	7,580/66	1970 cont.	16,601/67
	8,728/66		17,041/67
	11,746/66		17,548/67
	18,286/66		18,085/67
	2,551/67		1,595/68
	3,266/67		1,979/68
	6,802/67		3,544/68
	6,810/67		4,384/68
	8,081/67		5,837/68
	13,356/67		8,451/68
	13,357/67		13,383/68
	14,943/67		13,820/68
	15,416/67		13,855/68
	2,323/68		13,931/68
			16,111/68
1970	13,670/64		16,533/68
	8,265/65		16,801/68
	2,160/66		18,780/68
	2,306/66		571/69
	4,316/66		871/69
	5,877/66		1,202/69
	5,878/66		1,798/69
	12,419/66		2,013/69
	14,606/66		2,605/69
	829/67		3,095/69
	1,031/67		8,820/69
	1,118/67		9,616/69
	7,010/67		9,862/69
	7,834/67		10,606/69
	9,397/67		
	13,312/67		
	13,716/67		

PCT/TCO/SS/I/2  
Annex 4 to Annex F, page 10

1971	10,179/63	1971 cont.	10,744/67
	5,564/65		10,747/67
	8,828/65		10,751/67
	564/66		11,134/67
	3,688/66		11,796/67
	4,887/66		12,079/67
	5,954/66		12,519/67
	6,317/66		13,003/67
	10,942/66		14,788/67
	12,743/66		15,468/67
	14,750/66		15,514/67
	15,169/66		15,733/67
	15,301/66		16,388/67
	15,514/66		16,709/67
	16,759/66		17,713/67
	17,631/66		17,862/67
	807/67		18,128/67
	1,391/67		18,198/67
	1,415/67		378/68
	2,149/67		767/68
	2,426/67		1,103/68
	3,681/67		1,622/68
	3,976/67		1,864/68
	6,151/67		2,314/68
	7,680/67		2,378/68
	7,769/67		2,583/68
	8,937/67		2,673/68
	9,130/67		3,064/68
	9,586/67		3,376/68
	9,743/67		3,490/68
	9,777/67		3,625/68
	10,438/67		3,766/68

PCT/TCO/SS/I/2  
Annex 4 to Annex F, page 11

1971 cont.	4,533/68	1971 cont.	14,913/68
	4,566/68		14,948/68
	4,756/68		15,209/68
	6,236/68		15,339/68
	6,487/68		15,398/68
	6,629/68		15,400/68
	6,948/68		15,473/68
	7,024/68		15,569/68
	7,064/68		15,579/68
	8,326/68		15,596/68
	8,973/68		15,960/68
	9,139/68		16,180/68
	9,256/68		16,218/68
	9,508/68		16,266/68
	9,511/68		16,358/68
	9,782/68		16,705/68
	10,113/68		16,900/68
	10,220/68		17,078/68
	10,249/68		17,400/68
	10,746/68		17,675/68
	10,847/68		17,754/68
	11,634/68		18,027/68
	11,685/68		18,278/68
	11,740/68		18,311/68
	12,098/68		18,852/68
	12,452/68		19,168/68
	12,454/68		19,267/68
	13,109/68		19,273/68
	13,458/68		19,285/68
	14,566/68		19,370/68
	14,884/68		19,490/68
	14,885/68		552/69

PCT/TCO/SS/I/2  
Annex 4 to Annex F, page 12

1971 cont.	714/69	1971 cont.	8,395/69
	863/69		8,483/69
	1,237/69		8,518/69
	1,723/69		8,682/69
	2,212/69		9,025/69
	2,277/69		9,046/69
	2,293/69		9,055/69
	2,363/69		9,070/69
	2,956/69		9,310/69
	3,017/69		9,373/69
	3,774/69		9,420/69
	3,782/69		9,575/69
	3,967/69		10,164/69
	4,356/69		10,235/69
	4,361/69		10,344/69
	5,185/69		10,349/69
	5,243/69		10,350/69
	5,451/69		10,370/69
	5,753/69		10,392/69
	6,160/69		10,480/69
	6,206/69		10,608/69
	6,449/69		10,617/69
	6,482/69		10,805/69
	6,699/69		10,914/69
	6,702/69		10,936/69
	7,297/69		10,937/69
	7,338/69		10,949/69
	7,669/69		11,033/69
	8,184/69		11,431/69
	8,285/69		11,432/69
	8,286/69		11,454/69
	8,363/69		11,583/69

PCT/TCO/SS/I/2  
Annex 4 to Annex F, page 13

1971 cont.	11,774/69	1971 cont.	16,166/69
	12,030/69		16,337/69
	12,036/69		16,448/69
	12,323/69		16,451/69
	12,671/69		16,452/69
	12,764/69		16,459/69
	13,742/69		17,353/69
	13,908/69		17,520/69
	14,012/69		17,737/69
	14,166/69		17,917/69
	14,185/69		18,056/69
	14,336/69		18,215/69
	14,372/69		18,820/69
	14,681/69		19,120/69
	14,813/69		239/70
	14,862/69		451/70
	15,004/69		1,358/70
	15,151/69		1,407/70
	15,381/69		2,224/70
	15,382/69		2,473/70
	15,615/69		4,120/70
	15,632/69		4,477/70
	15,654/69		
	15,700/69		
	15,745/69		

⌊End of Annex F⌋

INVENTORY OF NATIONAL PATENT DOCUMENTS TO BE  
INCLUDED IN THE MINIMUM DOCUMENTATION UNDER  
RULE 34 OF THE PCT REGULATIONS

UNITED KINGDOM

Explanatory Note

Introduction

1. As far as the United Kingdom is concerned, the study of the "national patent documents" which, under Rule 34 of the PCT Regulations, may be expected to be included in the minimum documentation (see also paragraphs 2 to 6 of document PCT/TCO/SS/I/2) has shown the following results.
2. During the period January 1, 1920, to July 1, 1971, the British system of examination of patent applications and subsequent publication of the complete specifications after acceptance, as now laid down in Section 13(2) of the British Patents Act 1949, remained basically the same.
3. In this Note, therefore, the period under consideration will be discussed as a whole and no sub-dividing into sub-periods is necessary.

National Patent Documents to be Included in the PCT Minimum Documentation

4. On the acceptance of a complete specification, the Comptroller, in accordance with the provisions of Section 13(2) of the Patents Act 1949, advertises in the Official Journal the fact that the specification has been accepted and the date on which the application and the specification or specifications filed in pursuance thereof will be open to public inspection.
5. Printed copies of the accepted complete specifications are made available to the public and dispatched to subscribers and other Patent Offices as from the date mentioned in the advertisement in the Official Journal.

6. Therefore, the inventory of the patent documentation that should be included in the PCT minimum documentation should begin with the first complete specification published for opposition in January 1920.

7. The first specification thus published is No. 135,874, which is the lowest number in the series which has a regular uninterrupted numerical sequence.

8. There is, however, a small group of specifications accepted before January 1, 1920, but published for opposition on or after that date, which are not, for various reasons, in numerical sequence.

9. This group is listed in Part (A) of the Inventory.

10. The main group of accepted specifications, to be included in the PCT minimum documentation, which is in regular numerical sequence and was published for opposition as from January 1, 1920, onwards, starting with No. 135,874, is mentioned in Part (B) of the Inventory.

#### Abridgements

11. In the United Kingdom there exists a number of abridgements, made during 1920 to 1950, of "convention applications" containing disclosures which were also contained in the basic applications filed in the home country and in the applications filed in the United Kingdom but which were not subsequently accepted.

12. Since, however, abridgements are not a complete publication of the full application and consequently do not come under the definition of Rule 34 of the PCT Regulations, it is considered that this series of abridgements should not be included in the PCT minimum documentation.

#### Number of Documents to be Included in the PCT Minimum Documentation

13. The last specification accepted, published on June 30, 1971, carries the serial No. 1,237,900.

14. Since there are no interruptions in the numbering system of these published specifications, the number of relevant documents under Part (B) of the Inventory can be found by deducting the lowest number from the highest number and this amounts to 1,102,026.

=====

15. The number of documents included in Part (A) of the Inventory amounts to 87.

16. The total number of British national patent documents to be included in the PCT minimum documentation, therefore, amounts to 1,102,113 or, rounded off, 1,102,000.

=====

17. The first specification accepted which was published after January 1, 1946, is No. 574,317.

18. The number of British national patent documents to be included in the PCT minimum documentation, dating from before 1946, including those mentioned in Part (A) of the Inventory, amounts to 438,530.

=====

INVENTORY OF THE BRITISH NATIONAL PATENT DOCUMENTS TO BE INCLUDED IN THE  
PCT MINIMUM DOCUMENTATION

COUNTRY: UNITED KINGDOM

Period  
January 1, 1920

Part (A): Groups of specifications accepted before January 1, 1920 but published for opposition on or after that date:

Part (B): First number of series in numerical sequence:

105,769					
114,314					
116,270;	886				
118,282					
120,887					
121,295;	296;	297;	475;	477;	485;
	488;	610;	735;	740;	944;
	950;	951;	967		
122,170;	182;	184;	403;	625;	831;
	832				
123,305;	309;	523;	988		
124,419;	726;	727;	735;	762	
125,055;	071;	079;	358;	362;	364;
	578;	581;	585		
126,303;	610;	621;	633;	947;	962
127,245;	250;	562;	829		
128,201;	580				
129,276;	622;	629;	973		
130,591;	617;	986;	987;	992	
131,271;	314;	596;	880		
132,241;	485;	513;	518;	534;	535;
	536				
133,664;	943;	946			
134,521;	532				
135,453;	459;	815;	819;	820	

135,874

number series without interruption

1,237,900

July 1, 1971

INVENTORY OF NATIONAL PATENT DOCUMENTS TO BE  
INCLUDED IN THE MINIMUM DOCUMENTATION UNDER  
RULE 34 OF THE PCT REGULATIONS

UNITED STATES OF AMERICA

Explanatory Note

Introduction

1. As far as the United States of America is concerned, the study of the "national patent documents" which, under Rule 34 of the PCT Regulations, may be expected to be included in the minimum documentation (see also paragraphs 2 to 6 of document PCT/TCO/SS/I/2) has shown the following results.

2. As of July 1, 1971, the following documents should be included in the PCT minimum documentation:

Patents

3. All United States of America patents beginning with US Patent Number 1,326,899 issued on January 6, 1920, to the latest issue (US Patent Number 3,590,387, which was issued on June 29, 1971). This body of documentation totals 2,262,128 documents, all of which are sequentially numbered with the following exceptions:

- (a) numbers for which no patent issued (1,363 occurrences; see attached list in Annex No. 1),
- (b) other numbering anomalies (two occurrences; half-numbered patents, 2,712,152½ and 3,262,124½).

Re-issued Patents

4. All United States of America re-issued patents beginning with re-issued Patent Number 14,785 issued on January 6, 1920, to the latest re-issue (US re-issued Patent Number 27,151,

which was issued on June 29, 1971). This body of documentation totals 12,335 documents, all of which are sequentially numbered with the following exceptions:

- (a) numbers for which no re-issue patents issued (32 occurrences; see attached list in Annex No. 2),
- (b) other numbering anomalies (none known).

Number of documents to be Included in the PCT Minimum Documentation

5. According to the figures given in paragraphs 3 and 4 of this Note, the total number of patent documents to be included in the PCT minimum documentation amounts to 2,274,463 or, rounded off, 2,274,500.

=====

INVENTORY OF PATENT DOCUMENTS TO BE INCLUDED  
 IN THE PCT MINIMUM DOCUMENTATION  
 COUNTRY: UNITED STATES OF AMERICA

Period	TYPE OF DOCUMENT	
	Patents	Re-issued Patents
January 1, 1920	<p style="text-align: center;">No. 1,326,899</p> <p style="text-align: center;">↓</p> <p style="text-align: center;">(numbers in numerical sequence, apart from 1,363 numbers for which no patents were issued, and two occurrences of half-numbered patents, viz. Nos. 2, 712, 152½ and 3, 262, 124½)</p> <p style="text-align: center;">↓</p>	<p style="text-align: center;">No. 14,785</p> <p style="text-align: center;">↓</p> <p style="text-align: center;">(numbers in numerical sequence, apart from 32 numbers for which no re-issued patents were issued)</p> <p style="text-align: center;">↓</p>
July 1, 1971	<p style="text-align: center;">No. 3,590,387</p>	<p style="text-align: center;">No. 27,151</p>

PCT/TCO/SS/I/2  
Annex I to Annex H

PATENT NUMBERS FOR WHICH NO PATENTS EXIST

<u>1920</u>	<u>1920</u>	<u>1920</u>	<u>1921</u>
1,326,544	1,345,738	1,359,368	1,374,989
1,327,499	1,346,500	1,359,488	1,376,360
1,328,128	1,346,842	1,359,533	1,376,669
1,328,707	1,347,812	1,360,148	1,378,034
1,329,347	1,347,925	1,360,179	1,378,282
1,329,349	1,348,509	1,360,225	1,378,727
1,329,486	1,348,524	1,361,020	1,378,827
1,330,546	1,348,786	1,361,569	1,379,400
1,330,674	1,348,883	1,361,663	1,379,568
1,330,770	1,348,979	1,361,924	1,380,075
1,331,046	1,349,196	1,362,149	1,381,620
1,331,521	1,349,237	1,362,920	1,381,768
1,331,545	1,350,282	1,363,521	1,383,219
1,332,144	1,350,283	1,363,612	1,384,027
1,332,212	1,350,284	1,363,926	1,384,649
1,332,450	1,350,449		1,384,729
1,332,560	1,351,365	<u>1921</u>	1,384,739
1,333,354	1,351,366	1,365,095	1,384,881
1,333,467	1,351,511	1,365,254	1,385,198
1,333,468	1,351,957	1,365,736	1,385,297
1,334,054	1,352,365	1,367,230	1,385,395
1,334,215	1,352,366	1,367,469	1,385,736
1,334,538	1,352,503	1,367,576	1,386,257
1,335,236	1,352,530	1,367,577	1,386,284
1,335,316	1,352,923	1,367,671	1,387,193
1,335,567	1,353,221	1,367,671	1,387,194
1,337,123	1,353,402	1,367,887	1,387,195
1,337,475	1,353,842	1,367,890	1,387,196
1,337,792	1,353,911	1,367,990	1,387,197
1,338,075	1,354,004	1,368,309	1,387,198
1,338,764	1,354,120	1,368,883	1,388,076
1,339,186	1,354,185	1,369,361	1,388,476
1,340,067	1,354,622	1,369,786	1,388,638
1,340,847	1,355,019	1,370,094	1,388,667
1,341,639	1,355,463	1,370,729	1,390,470
1,341,641	1,355,637	1,371,037	1,390,692
1,341,703	1,355,792	1,371,864	1,391,656
1,341,990	1,356,353	1,371,945	1,391,657
1,342,433	1,356,376	1,372,002	1,391,659
1,342,609	1,356,410	1,372,056	1,392,036
1,343,878	1,356,952	1,372,612	1,392,897
1,344,040	1,356,986	1,372,879	1,393,963
1,344,076	1,357,424	1,373,364	1,393,976
1,344,149	1,357,488	1,374,159	1,394,027
1,345,449	1,358,944	1,374,536	1,394,200
1,345,604	1,359,256	1,374,982	1,394,251

PCT/TCO/SS/I/2  
Annex 1 to Annex H  
page 2

<u>1921 (Cont'd)</u>	<u>1922</u>	<u>1924</u>	<u>1926</u>
1,394,496	1,412,236	1,479,267	1,583,502
1,394,531	1,412,403	1,482,019	1,586,394
1,395,619	1,413,800	1,482,020	1,586,809
1,397,291	1,413,851	1,485,730	1,589,869
1,397,928	1,414,503	1,487,192	1,593,862
1,398,139	1,415,569	1,488,855	1,598,626
1,398,669	1,416,978	1,490,784	1,603,029
1,398,974	1,417,036	1,490,881	1,603,030
1,399,468	1,419,364	1,491,124	1,603,031
1,399,844	1,427,585	1,491,966	1,605,733
1,399,907	1,428,773	1,492,124	1,607,137
1,400,659	1,429,866	1,494,199	1,607,553
1,400,705	1,432,625	1,495,462	1,608,695
1,400,706	1,433,615	1,495,560	1,608,852
1,400,707	1,434,059	1,497,606	
1,400,874	1,435,487	1,499,014	
1,400,923	1,436,022	1,503,025	<u>1927</u>
1,401,047	1,437,446	1,503,660	1,614,140
1,401,309	1,437,633	1,504,665	1,614,796
	1,437,903	1,505,903	1,618,690
<u>1922</u>	1,438,473	1,506,127	1,621,473
1,402,252	1,438,872	1,514,969	1,623,485
1,402,278	1,438,998		1,625,813
1,402,313	1,439,024	<u>1925</u>	1,625,814
1,402,426	1,439,189	1,522,710	1,630,332
1,403,095	1,440,029	1,523,196	1,633,223
1,403,096		1,523,264	1,634,484
1,403,422	<u>1923</u>	1,523,269	1,635,818
1,403,885	1,442,046	1,523,273	1,649,216
1,404,421	1,442,154	1,528,381	1,651,805
1,404,495	1,445,950	1,534,479	
1,404,563	1,447,157	1,535,990	<u>1928</u>
1,404,643	1,449,932	1,536,440	1,654,444
1,405,026	1,450,529	1,543,950	1,657,945
1,405,069	1,454,371	1,548,704	1,659,182
1,406,101	1,457,906	1,550,652	1,661,668
1,406,392	1,457,963	1,555,905	1,662,894
1,406,612	1,459,178	1,556,105	1,663,808
1,406,734	1,463,187	1,561,654	1,666,446
1,407,660	1,463,215	1,561,678	1,669,562
1,409,890	1,465,094	1,563,027	1,670,768
1,410,810	1,466,135	1,565,442	1,675,446
1,410,971	1,466,336		1,676,778
1,411,099	1,472,950	<u>1926</u>	1,677,395
1,411,100	1,476,191	1,577,120	1,679,119
1,411,214	1,477,160	1,577,726	1,682,469
1,411,726	1,477,711	1,582,612	1,683,400
1,412,221	1,477,937		1,688,304

PCT/TCO/SS/I/2  
Annex 1 to Annex H  
page 3

<u>1928 (Cont'd)</u>	<u>1931</u>	<u>1934</u>	<u>1937</u>
1,693,681	1,800,696	1,966,526	2,089,955
1,693,699	1,800,893	1,972,081	2,095,492
1,694,348	1,801,327	1,979,725	2,099,388
1,695,299	1,805,433		2,100,244
	1,818,907	<u>1935</u>	
<u>1929</u>	1,826,956		<u>1938</u>
	1,834,901	1,993,191	
1,697,444		1,993,694	2,112,775
1,704,486	<u>1932</u>	1,995,311	2,115,669
1,707,783		1,998,839	2,116,510
1,708,142	1,840,809	1,999,087	2,117,719
1,709,705	1,843,857	1,999,392	2,119,356
1,720,298	1,850,043	1,999,767	2,123,918
1,720,418	1,860,448	2,001,699	2,125,369
1,720,798	1,863,999	2,005,603	2,131,755
1,721,339	1,865,421	2,005,857	2,132,773
1,721,766	1,866,939	2,007,205	2,133,885
1,726,690	1,878,246	2,007,393	2,134,663
1,728,698	1,884,332	2,010,448	2,135,505
1,729,549	1,884,451	2,012,182	2,138,298
1,733,670	1,884,694	2,019,305	2,138,752
1,735,186	1,887,282	2,020,010	
1,736,762	1,887,622	2,020,280	<u>1939</u>
1,741,492	1,887,929	2,021,871	
	1,889,715	2,022,960	2,148,425
		2,026,352	2,148,536
<u>1930</u>	<u>1933</u>		2,150,938
		<u>1936</u>	2,151,051
1,743,427	1,894,650		2,152,215
1,745,353	1,895,708	2,027,324	2,153,669
1,747,043	1,897,057	2,031,592	2,156,520
1,747,046	1,903,007	2,036,132	2,156,897
1,747,966	1,903,490	2,038,557	2,163,942
1,748,395	1,907,306	2,040,737	2,164,345
1,750,574	1,907,405	2,044,173	2,165,303
1,757,939	1,931,537	2,052,834	2,166,615
1,764,394	1,932,672	2,054,950	2,168,378
1,768,352	1,934,868	2,059,202	2,175,023
1,771,721	1,935,125	2,060,255	2,175,982
1,774,370	1,940,791		2,182,679
1,774,427		<u>1937</u>	2,184,037
1,777,956			
1,778,991	<u>1934</u>	2,069,988	<u>1940</u>
1,781,897		2,072,420	
1,784,591	1,942,461	2,072,866	2,191,404
	1,953,416	2,076,500	2,196,884
<u>1931</u>	1,957,323	2,076,540	2,197,812
	1,957,471	2,079,432	2,199,424
1,791,754	1,961,521	2,079,609	2,207,637
1,800,260	1,961,699	2,088,958	2,208,748
1,800,424	1,963,161		2,218,539

PCT/TCO/SS/I/2  
Annex 1 to Annex H  
page 4

<u>1940 (Cont'd)</u>	<u>1943</u>	<u>1946</u>	<u>1949</u>
2,224,121	2,314,783	2,393,145	2,465,566
2,224,843	2,316,193	2,396,326	2,465,986
2,225,122	2,316,322	2,397,096	2,466,122
2,227,345	2,317,661	2,400,717	2,466,169
	2,319,260	2,401,332	2,466,548
<u>1941</u>	2,321,214	2,401,622	2,469,172
2,227,437	2,322,191	2,401,870	2,472,336
2,228,975	2,323,602	2,402,002	2,473,989
2,234,192	2,326,185	2,404,667	2,475,627
2,235,014	2,326,374	2,404,790	2,482,100
2,236,511	2,326,921	2,406,438	2,489,590
2,237,279	2,327,989	2,408,917	2,492,612
2,239,264	2,330,178	2,411,154	
2,240,414	2,331,011	2,413,373	<u>1950</u>
2,240,525	2,331,307		2,495,290
2,248,034	2,335,850	<u>1947</u>	2,496,107
2,255,067		2,416,356	2,496,277
2,257,819	<u>1944</u>	2,417,016	2,496,318
2,265,040	2,338,130	2,417,444	2,498,351
2,266,436	2,339,764	2,418,662	2,498,690
	2,340,198	2,418,663	2,498,713
<u>1942</u>	2,341,540	2,426,202	2,498,879
2,273,070	2,343,214	2,427,455	2,499,374
2,273,553	2,343,590	2,430,819	2,499,424
2,275,925	2,346,169	2,432,976	2,506,603
2,276,762	2,348,213	2,433,400	2,506,691
2,277,060	2,350,568		2,507,280
2,279,224	2,350,687	<u>1948</u>	2,508,012
2,282,094	2,350,695	2,434,840	2,508,369
2,285,441	2,351,228	2,435,208	2,508,395
2,287,778	2,352,364	2,435,584	2,509,512
2,292,025	2,355,064	2,435,584	2,511,078
2,292,330	2,356,462	2,437,547	2,511,325
2,294,264	2,358,360	2,441,972	2,517,633
2,295,641	2,358,842	2,444,050	2,520,569
2,297,321	2,364,245	2,444,202	2,520,723
2,297,688	2,365,366	2,445,168	2,521,316
2,299,713	2,365,712	2,446,539	2,522,828
2,303,310		2,449,380	2,524,785
2,306,786	<u>1945</u>	2,455,468	2,526,681
	2,368,871	2,455,536	2,528,027
<u>1943</u>	2,370,198		2,528,906
2,307,778	2,377,381	<u>1949</u>	2,530,386
2,307,780	2,378,960	2,457,850	2,531,163
2,307,786	2,382,408	2,461,184	2,531,815
2,312,574	2,385,805	2,463,511	2,532,163
	2,388,286	2,463,530	2,535,577
	2,392,994		



PCT/TCO/SS/I/2  
Annex 1 to Annex H  
page 6

<u>1954 (Cont'd)</u>	<u>1955</u>	<u>1956</u>	<u>1957</u>
2,690,406	2,716,543	2,772,874	2,801,746
2,690,416	2,716,624	2,773,534	2,801,747
2,691,200	2,716,771	2,773,653	2,801,749
2,691,574	2,717,222	2,773,831	2,803,699
2,691,860	2,719,774	2,774,910	2,804,340
2,692,716	2,719,824	2,774,985	2,804,875
2,693,428	2,719,825		2,805,772
2,693,548	2,721,103		2,806,761
2,694,085	2,721,863	<u>1957</u>	2,807,464
2,694,312	2,722,143	2,776,062	2,808,432
2,694,390	2,722,545	2,776,750	2,810,101
2,695,282	2,723,623	2,777,006	2,811,230
2,695,921	2,723,720	2,777,441	2,812,392
2,696,437	2,723,961	2,777,734	2,813,031
2,698,070	2,724,768	2,777,861	2,813,334
	2,727,193	2,777,875	2,813,572
<u>1955</u>	2,727,967	2,779,079	2,816,006
2,698,790	2,728,548	2,779,081	2,816,127
2,698,791		2,779,234	2,816,138
2,698,792	<u>1956</u>	2,782,170	2,816,139
2,698,934	2,729,635	2,782,737	2,816,353
2,698,971	2,730,509	2,783,012	
2,699,330	2,732,537	2,783,123	<u>1958</u>
2,699,446	2,732,752	2,783,985	2,822,284
2,699,786	2,732,979	2,784,904	2,822,826
2,699,984	2,732,997	2,785,122	2,823,077
2,700,277	2,736,661	2,786,842	2,824,562
2,700,591	2,737,218	2,787,145	2,824,802
2,700,640	2,740,805	2,787,184	2,824,982
2,701,074	2,741,538	2,788,318	2,825,981
2,701,390	2,744,657	2,788,706	2,827,435
2,701,625	2,751,125	2,788,746	2,828,185
2,703,294	2,751,125	2,789,487	2,828,324
2,703,731	2,751,597	2,793,209	2,828,729
2,704,263	2,753,313	2,794,255	2,831,816
2,706,235	2,754,257	2,795,319	2,832,861
2,708,190	2,757,589	2,795,326	2,832,913
2,708,191	2,761,455	2,795,530	2,833,021
2,708,291	2,761,665	2,795,602	2,833,509
2,708,929	2,762,979	2,795,606	2,834,696
2,709,409	2,765,274	2,795,741	2,834,709
2,710,415	2,765,875	2,796,174	2,835,080
2,711,825	2,767,779	2,796,653	2,835,081
2,713,136	2,769,388	2,797,202	2,835,163
2,713,181	2,769,738	2,800,061	2,836,569
2,714,127	2,769,917	2,800,144	2,836,944
2,716,486	2,770,285	2,800,413	2,836,997
	2,771,310	2,800,581	

PCT/TCO/SS/I/2  
Annex 1 to Annex H  
page 7

<u>1958 (Cont'd)</u>	<u>1959</u>	<u>1959</u>	<u>1960</u>
2,838,432	2,867,629	2,910,447	2,949,962
2,839,362	2,868,079	2,911,692	2,950,284
2,839,363	2,870,252	2,912,364	2,950,432
2,840,247	2,870,371	2,913,092	2,950,500
2,840,516	2,871,228	2,913,844	2,951,151
2,840,803	2,871,386	2,914,272	2,951,688
2,840,805	2,875,807	2,914,723	2,951,983
2,841,263	2,877,685	2,915,408	2,952,166
2,841,268	2,880,075	2,916,192	2,953,452
2,841,941	2,880,124	2,918,184	2,954,042
2,842,221	2,880,420		2,954,098
2,842,450	2,881,190	<u>1960</u>	2,954,753
2,842,948	2,882,699	2,921,889	2,956,119
2,843,123	2,883,236	2,923,534	2,957,298
2,843,124	2,883,415	2,923,602	2,957,314
2,843,480	2,884,447	2,926,748	2,957,871
2,843,494	2,884,667	2,926,849	2,957,926
2,843,618	2,884,817	2,927,920	2,958,710
2,843,619	2,885,697	2,929,275	2,959,628
2,843,620	2,886,310	2,929,536	2,960,229
2,844,079	2,886,598	2,929,701	2,960,241
2,844,080	2,886,684	2,929,726	2,960,625
2,844,477	2,887,434	2,930,198	2,961,333
2,845,511	2,888,791	2,931,555	2,961,381
2,846,209	2,889,285	2,931,883	2,962,369
2,846,362	2,890,950	2,932,999	2,964,576
2,847,934	2,891,893	2,933,054	2,964,615
2,849,228	2,891,963	2,933,761	2,965,597
2,849,229	2,891,998	2,934,171	2,966,281
2,849,403	2,892,779	2,935,523	
2,849,481	2,892,787	2,936,311	<u>1961</u>
2,849,709	2,892,789	2,936,334	2,966,834
2,851,412	2,893,092	2,936,432	2,967,299
2,851,762	2,893,498	2,937,683	2,967,501
2,853,534	2,894,438	2,937,770	2,967,830
2,853,610	2,895,437	2,937,953	2,967,844
2,854,391	2,895,802	2,939,174	2,967,881
2,854,863	2,896,350	2,939,635	2,967,936
2,854,864	2,896,984	2,940,542	2,968,129
2,855,431	2,897,374	2,941,384	2,968,131
2,856,455	2,899,531	2,941,886	2,968,312
2,856,456	2,899,883	2,942,437	2,968,365
2,857,102	2,899,892	2,942,966	2,969,159
2,857,477	2,900,616	2,944,041	2,969,199
2,858,242	2,901,926	2,944,184	2,969,558
2,858,909	2,902,513	2,944,905	2,970,225
2,861,904	2,905,917	2,945,489	2,970,908
2,862,713	2,906,102	2,946,058	2,971,529
2,864,651	2,906,331	2,946,947	2,971,866
2,865,528	2,906,826	2,947,461	2,972,040
2,866,098	2,907,107	2,947,845	2,972,575
2,866,639	2,908,447		

PCT/TCO/SS/I/2  
Annex 1 to Annex H  
page 8

<u>1961 (Cont'd)</u>	<u>1963</u>	<u>1969</u>
2,972,954	3,078,174	3,428,211
2,972,970	3,086,382	3,436,334
2,973,002	3,090,860	3,445,375
2,973,098	3,111,880	3,469,259
2,973,248		3,473,112
2,973,275		
2,974,028	<u>1964</u>	<u>1970</u>
2,975,054	3,119,316	3,507,223
2,975,165	3,124,210	3,508,897
2,975,206	3,154,422	3,510,042
2,976,172		3,521,668
2,976,187	<u>1965</u>	3,521,732
2,976,255		3,522,249
2,977,431	3,169,637	3,522,203
2,979,339	3,171,792	3,526,383
2,979,409	3,173,328	3,536,882
2,980,555	3,177,818	3,541,969
2,982,116	3,181,769	3,542,418
2,982,684	3,220,209	
2,982,725	3,225,864	
2,983,546		<u>1971</u>
2,983,890	<u>1966</u>	3,551,508
2,987,097		3,554,965
2,987,287	3,227,602	3,557,561
2,988,678	3,252,467	3,560,497
2,989,131	3,254,632	3,561,333
2,990,183	3,256,521	3,566,818
2,990,390	3,254,951	3,573,307
2,992,085	3,256,369	3,580,888
2,992,112	3,259,749	3,582,792
2,992,680	3,268,108	3,586,876
2,992,890	3,285,792	
3,002,267		
3,005,249	<u>1967</u>	
<u>1962</u>	3,295,602	
3,033,688	3,319,565	
3,034,506	3,321,155	
3,044,261	3,334,672	
3,044,928	3,343,907	
3,046,552		
3,050,213	<u>1968</u>	
3,068,762	3,380,338	
<u>1963</u>	3,397,088	
3,071,488	3,403,740	
3,073,880	3,412,099	
3,077,943	3,418,798	
	<u>1969</u>	
	3,425,654	

PCT/TCO/SS/I/2  
Annex 2 to Annex H

REISSUE PATENT NUMBERS FOR WHICH NO  
REISSUE PATENTS EXIST

(Since January 6, 1920)

RE 15,083  
RE 15,141  
RE 15,168  
RE 15,224  
RE 15,488  
RE 15,544  
RE 15,767  
RE 16,007  
RE 16,780  
RE 16,785  
RE 17,014  
RE 17,016  
RE 17,055  
RE 17,148  
RE 17,521  
RE 17,695  
RE 18,261  
RE 18,412  
RE 18,574  
RE 19,135  
RE 19,215  
RE 19,241  
RE 19,291  
RE 19,899  
RE 20,279  
RE 21,422  
RE 21,666  
RE 22,806  
RE 23,591  
RE 24,078  
RE 24,545  
RE 25,344

/End of Annex H/

INVENTORY OF NATIONAL PATENT DOCUMENTS TO BE  
INCLUDED IN THE MINIMUM DOCUMENTATION UNDER  
RULE 34 OF THE PCT REGULATIONS

ENGLISH, FRENCH AND GERMAN LANGUAGE DOCUMENTS OF COUNTRIES  
OTHER THAN THE SEVEN

Explanatory Note

1. As explained in paragraph 13 of document PCT/TCO/SS/I/2, the International Bureau conducted a survey among the national offices of Austria, Australia, Belgium, Canada, Ceylon, India, Ireland, Israel, Luxembourg, Monaco, New Zealand, Pakistan, Philippines, South Africa and the African and Malagasy Industrial Property Office (OAMPI), in order to establish which English, French and German language documents may be expected to be included in the PCT minimum documentation under PCT Rule 34.1(c)(vi).
2. At the time of writing this Report, replies have been received from the Patent Offices of Australia, Canada, Ireland, Luxembourg, New Zealand, Pakistan and the Philippines, and from OAMPI.
3. This Annex contains the circular letter of the International Bureau and the replies of the countries mentioned in paragraph 2, above.
4. So far, the National Offices of Australia, Canada, Ireland, Luxembourg and the Philippines, as well as OAMPI, have declared their willingness to sort out the "non-priority" patent documents (or, in the case of Canada, the "non-duplicated" art), issued by them, and to place them at the disposal of each of the International Searching Authorities.

5. As far as can be estimated at present, the following numbers of documents may be expected:

<u>Australia</u> (1920-1971)	100,000
<u>Canada</u> (the "non- duplicated" art of 1948-1971)	4,440
<u>Ireland</u> (1950-1971)	400
<u>Luxembourg</u> (1920-1971)	10,000
<u>Philippines</u> (1948-1971)	1,152
Total	<u>115,992</u> =====

ORGANISATION MONDIALE DE LA  
PROPRIÉTÉ INTELLECTUELLE

Bureaux internationaux réunis  
pour la protection de la  
propriété intellectuelle (BIRPI)



WORLD INTELLECTUAL  
PROPERTY ORGANIZATION

United International Bureaux  
for the Protection of Intellectual  
Property (BIRPI)

C. 1220  
PCT 21

Re: PCT Minimum Documentation

According to the program suggested by the PCT Interim Committee for Technical Cooperation (First Session, February 1971), "the International Bureau, under the guidance of the Interim Committee and with the assistance of the Standing Subcommittee of that Committee, should:

- (i) prepare a detailed inventory of the patent documents to be included in the PCT minimum documentation (the inventory should comprise also the status of abstracts referred to in Rule 34.1(e) and those English, French and German language documents which, under Rule 34.1(c)(vi) of the PCT Regulations, may be expected to be included in the minimum documentation; ...)" (document PCT/TCO/I/6, paragraph 25).

It is recalled that Rule 34.1(c)(vi) of the PCT Regulations provides for the inclusion in the "minimum documentation" of the International Searching Authorities of "such patents issued by, and such patent applications published in, any other country [other than France, Germany, Japan, the Soviet Union, Switzerland, the United Kingdom and the United States of America] after 1920 as are in the English, French, or German language and in which no priority is claimed, provided that the national Office of the interested country sorts out these documents and places them at the disposal of each International Searching Authority."

./

C. 1220  
PCT 21

We would appreciate it if you could let us know whether your Office is prepared to sort out the "non-priority" patent documents issued by your Office, and, if so, from what date, with a view to placing them subsequently at the disposal of each International Searching Authority.

In the affirmative, the subsequent step would be to list the numbers of all the patent documents which would fall under the above definition. We would appreciate receiving, at this time, an estimate of the number of documents that would be involved and the time which the compilation of the list would require.

It is probable that a substantial portion of the documents in question is already available in the prospective International Searching Authorities. Consequently, before asking for the copies of any of your documents, we would communicate to the prospective International Searching Authorities the list of documents which you would prepare and ask them which of the documents so listed they do not have.

As to the future, it would seem to be indispensable that you keep a record of the documents which would fall under the definition in question and that ten sets of those documents be stored for possible later transmittal to the Authorities.

This circular is being addressed to the national Offices of Austria, Australia, Belgium, Canada, Ceylon, India, Ireland, Israel, Luxembourg, Monaco, New Zealand, Pakistan, Philippines and South Africa, and to the African and Malagasy Industrial Property Office (OAMPI).

We would appreciate receiving your reply by October 1, 1971.

Sincerely yours,

Arpad Bogsch  
First Deputy Director General

COMMONWEALTH OF AUSTRALIA  

---

**PATENT, TRADE MARKS AND DESIGNS OFFICES**  
**WODEN, A.C.T. 2606**

Cable and Telegraphic Address—  
'COMPATS, CANBERRA'  
Telephone: Canberra 83 2211

In reply please quote

71/78

OS

17th June, 1971.

**Re**

PCT MINIMUM DOCUMENTATION

**Your ref.** C1220 - PCT 21 of 24th March, 1971.

Dr. A. Bogsch,  
First Deputy Director General,  
World Intellectual Property Organization,  
32, chemin des Colombettes,  
1211 Geneva 20,  
SWITZERLAND.

Dear Dr. Bogsch,

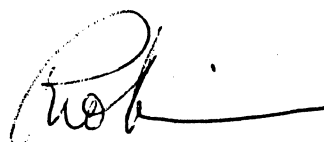
I would estimate that there are between 95,000 and 100,000 non-priority patent documents issued by the Australian Patent Office 1920-1971.

By present staffing resources I would estimate a period of 20 weeks as being necessary to compile a list of these documents.

I note your request to retain a record of the non-priority documents and 10 sets of these. The latter are now being stored.

Your further advice in due course would be appreciated.

Yours sincerely,

  
(P.W. O'BRIEN)  
Assistant Commissioner  
(Administration)



PCT/TCO/SS/I/2  
Annex J, page 6

Department of consumer and corporate affairs / Ministère de la consommation et des corporations



COMMUNICATIONS SHOULD BE ADDRESSED  
COMMISSIONER OF PATENTS  
OTTAWA

ADRESSER TOUTES COMMUNICATIONS AU  
COMMISSAIRE DES BREVETS  
OTTAWA

May 7, 1971.

Dr. Arpad Bogsch,  
First Deputy Director General,  
WIPO,  
32, chemin des Colombettes,  
1211 Genève 20,  
Switzerland.

Re: PCT Minimum Documentation

Dear Dr. Bogsch,

In reply to your letter of March 24, I wish to advise you of the Canadian position with respect to non-duplicated art. At such time as Canada becomes a party to the Treaty, we anticipate providing Canadian Art to the searching authorities back to January 1, 1948. We estimate this would involve 3,600 patents for the period 1948 - 1968, and 360 a year since then, for a total of 4,440 to this date. As indicated to you in my letter of April 6, 1970, this would be restricted to "non-duplicated" art, rather than "non-priority art". If we were to provide copies of patents on which no priority were claimed the figure would reach 85,000. We are not prepared to supply the non-priority art, nor do we think it desirable to do so. Most of this art would be duplicated, even though no priority had been requested.

We could not provide a complete list of the numbers of the patent documents involved before we adhere to P.C.T., at which time we would perhaps need a year to complete the list. No monies have been allocated to a project such as this in our five-year budget forecast, and would have to be provided for as a special allocation tied in with adherence to P.C.T. We think the work involved would amount to 2,000 man-hours.

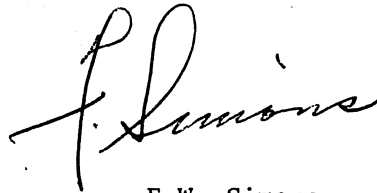
We do think we could provide lists for the period 1970 forward out of our current budget, and begin forwarding copies to the searching authorities as soon as they are able to receive them, on the same basis as we are now doing for the I.I.B. Perhaps we could also start doing this from 1963 forward on a weekly basis. At the present time we are stripping

..... 2

our copies of 1963 patents, kept in storage to reduce the number retained to three, and could combine that operation with a procedure to separate out ten copies of the non-duplicated patents.

The main problem for us will be in preprinting 1963 patents to provide copies to searching authorities, and preparing lists of non-duplicated patents for the period 1948 - 1963.

Yours truly,

A handwritten signature in cursive script, appearing to read 'F. W. Simons', written in dark ink.

F.W. Simons,  
Assistant Commissioner of Patents.

telefón 60341.  
(Telephone No. 60341)

Δον φρεάζηα άη άη λιτήη ηεο ηη μαη  
ηεο βα όόηη έ ηεόλαό:—  
(Any reply to this communication  
should be addressed to:—)

άη κεάηηααί  
(Controller)

πέ'η αηήηη ηεο:  
(and the following number  
quoted:—)

Pat.613/12



ΟΠΙΣ ηα οπατιμήη  
(Patents Office)

45 κεάηηόσ ηηηηεάη  
(45 Merrion Square)

βαίηε άτα κηάτ 2.  
(Dublin 2.)

17 May, 1971.

PCT Minimum Documentation

Dear Dr. Bogsch,

With reference to your letter, C.1220/PCT21, of March 24, 1971, regarding the above matter, because of the provisions in our patent legislation relating to novelty evidence we are aware that the great majority of applications made to this Office correspond to applications previously made to the British Office. In accordance with PCT Rule 34.1.(c) these applications will already have been included in the Minimum Documentation of the International Searching Authorities. It is possible for us to segregate such applications, from the year 1950, from those for which there is no corresponding British one and to place the necessary documents relating to the latter at the disposal of each Searching Authority. We estimate that the number of documents involved would be 300-400 and that the list could be compiled within one month of a request being received. We should like to have a minimum of two months' notice for supplying copies of the documents.

Arrangements will be made for storage of ten sets of future documents in the category involved on your advising that this will be necessary.

Yours sincerely,

M.J. QUINN  
Controller

Dr. Arpad Bogsch,  
First Deputy Director General,  
W.I.P.O.,  
32 Chemin des Colombettes,  
1211 GENEVE 20,  
Suisse.

Grand Duchy of Luxembourg  
Ministry of National Economy  
and Energy

(Translation)

---

Industrial Property Department

Luxembourg, September 16, 1971

Mr. Arpad Bogsch  
First Deputy Director General  
of WIPO  
Geneva  
32, Chemin des Colombettes

Sir,

I have the honor to inform you that we have given our full attention to the WIPO Circular of March 24, 1971 (C.1220/PCT 21), on the minimum documentation under the PCT.

We have established that the accession of our country to the PCT might entail heavy obligations which we would have difficulty in meeting. However, we have not yet reviewed all the implications of accession, and therefore cannot for the time being adopt a clear and precise position with respect to the problem which you have placed before us.

If I have understood your circular correctly, we would be required, as a result of our accession to the PCT, to sort out non-priority patent documents issued from 1920 onwards, draw up a list of the numbers of those patents, and perhaps also forward ten sets of those documents to the International Searching Authorities.

As far as the sorting operation and the preparation of the list of numbers are concerned, these should not give rise to any major difficulties or involve too-long periods of time. The total number of patents issued between 1920 and the present day is in the neighborhood of 50,000, of which about 20% or 10,000 have not involved priority claims.

However, the tenfold reproduction of these 10,000 patents raises a problem of time and financing which would be much more difficult to solve. I do not need to tell you that our patents are not printed and that we would therefore have to make photocopies. We are already obliged to send two copies to the International Patent Institute. The PCT would involve us in much more extensive commitments: would those commitments relate only to past documentation or also

to that of the future? There are no doubt other questions which would have to be cleared up. Our Department will closely observe developments in this matter and will return to it in due course to take whatever decisions are appropriate.

I apologize for my inability to give you more accurate information for the time being.

Sincerely yours,

HOFFMANN J.P.

Head of the  
Industrial Property Department

Telephone: 48-860

Please address correspondence to:  
The Commissioner,  
P.O. Box 5052, Lambton Quay,  
WELLINGTON C.I



DEPARTMENT OF JUSTICE

In reply please quote the  
case number or the reference

P.2/1/5.

THE PATENT OFFICE,  
Departmental Building, Stout St.  
Wellington C.I., New Zealand.

Your Ref: C.1220  
PCT 21

15 September 1971

The First Deputy Director General,  
World Intellectual Property Organisation,  
32, chemin des Colombettes  
G E N E V A  
SWITZERLAND.

Dear Sir,

re: PCT Minimum Documentation.

In reply to your letter of 24 March 1971, I point out that unlike other Patent Offices, this Office does not print copies of patent specifications. Accepted New Zealand patent specifications are published and held in our Patent Office Library and they comprise typed copies as supplied by applicants when filing their applications for patents. Following formal acceptance under section 20 of the Patents Act 1953, the specifications are made available in binders on the shelves of the library for inspection by members of the public.

Our method of supplying copies of specifications to the general public is by preparing photocopies of individual specifications on demand at a specific charge per page.

Yours faithfully,

C.W. Wadham.  
Commissioner of Patents.

Per: 

BY AIR MAIL

GOVERNMENT OF PAKISTAN  
**THE PATENT OFFICE**

Telegrams : PATENTS

74974.

Telephone:

78497.

43802 (Controller)

43596 (Administrative Officer)

~~32-1/B, BLOCK NO. 6,~~

~~P.E.C.H. SOCIETY, DRIGH ROAD,~~  
KARACHI

KIANI S.J. SHAHEED ROAD  
DEPOT LINES  
~~KARACHI-3~~

No. 33/8/70-Pol.

Date 19th April, 1971.

All communications should be addressed to the Controller of Patents and Designs by designation, and not by name, quoting No. and date of this letter.

Mr. Arpad Bogsch,  
First Deputy Director General,  
World Intellectual Property Organization,  
32, Chemin des Colombettes,  
GENEVA -20. (Switzerland).

Re: PCT Minimum Documentation.

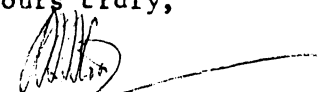
Dear Sir,

Reference is invited to your Circular letter No. C.1220  
PCT 21  
dated the 24th March, 1971 regarding the proposal for sorting out  
"non priority" Patent specifications since 1920 with a view to  
placing them subsequently at the disposal of each International  
Searching Authority.

Unfortunately, due to certain unavoidable circumstances,  
this office is unable to undertake the above job.

With assurances of highest consideration.

Yours truly,

  
( M. A. TOGR )

CONTROLLER OF PATENTS AND DESIGNS.

REPUBLIC OF THE PHILIPPINES  
DEPARTMENT OF COMMERCE AND INDUSTRY  
Philippines Patent Office  
QUEZON CITY

2

ADDRESS ALL COMMUNICATIONS TO:  
THE DIRECTOR OF PATENTS  
P. O. Box 296, MANILA  
PHILIPPINES

July 28, 1971

Dr. Arpad Bogisch  
First Deputy Director General  
World Intellectual Property  
Organization (WIPO)  
32, chemin des Colombettes  
1211 Geneve 20, Switzerland

Dear Director Bogisch,

This is with reference to your letter of March 24, 1971 regarding the PCT Minimum Documentation.

In answer to your query on page 2 of your letter, please be informed that our Office is prepared to sort out the non-priority invention patent documents issued from September 14, 1948 (issue date of first Philippine patent) up to June 28, 1971.

Presently, the number of non-priority invention documents that would be involved is estimated to be around 2,200. There are about 1,048 issued invention patents which have their corresponding U.S. patents, and 1,152 that do not have the corresponding U.S. patents.

Our records show the followings:

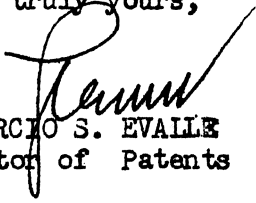
- 5,960 invention patents issued from September 14, 1948-June 28, 1971.
- 3,760 invention patents with claims priority.
- 2,200 - total invention patents with non-priority claims
- 1,048 - invention patents with non-priority claims having corresponding U. S. patents.
- 1,152 - invention patents with non-priority claims without the corresponding U.S. patents.

Considering that the 1,048 invention patents issued, with non-priority claims, have corresponding U.S. patents, would it still be necessary for us to sort out the same?

In the meantime, initial preparation of the list of

patent documents in question is now being undertaken in anticipation of the requirements needed by the prospective International Searching Authorities.

Very truly yours,



TIBURCIO S. EVALLE  
Director of Patents

AFRICAN AND MALAGASY INDUSTRIAL PROPERTY OFFICE

(Translation)

WIPO-BIRPI  
32, Chemin des Colombettes  
1211 GENEVA 20  
Switzerland

Yaoundé, April 15, 1971

For the attention of Mr. Arpad BOGSCH  
First Deputy Director General

Your Ref: C.1220, 24.03.71  
PCT 21

Sir,

In reply to your correspondence referred to above, we have the honor to inform you that our Office is prepared to sort out "non-priority" patents issued and to supply, at the appropriate time and subject to procedure to be agreed upon, the printed specifications relating to such patents.

In an initial stage, that is, until the end of the current year, we could provide you with a list of patents accompanied by the following particulars: number of patent, filing date, name and country of applicant, title of the invention. We await your views, however, on the necessity of omitting or adding certain references.

Sincerely yours,

AFRICAN AND MALAGASY  
INDUSTRIAL PROPERTY OFFICE

Denis EKANI  
Director General of OAMPI

/End of Annex J/  
/End of document/